



www.seimitsu.in



SEIMITSU
ACCESS to a BRIGHTER FUTURE

DIAMOND[®]



ATTACHMENTS - SPECIAL APPLICATIONS

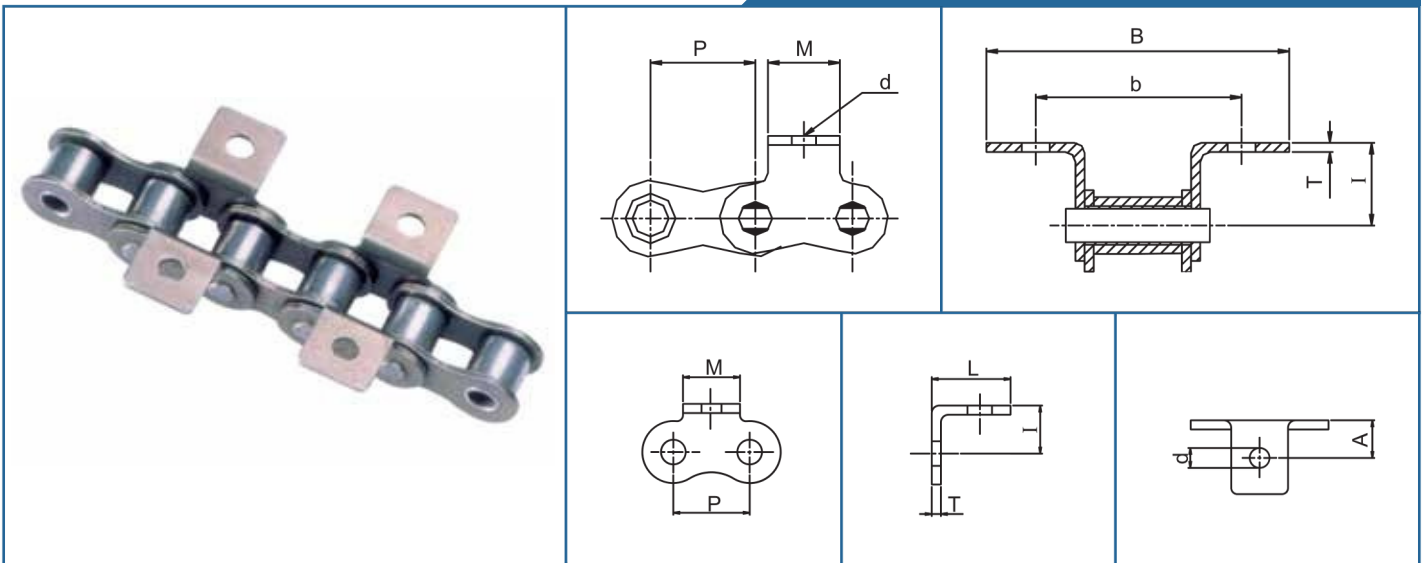


+91 9028121211 / 020-46212700



sales@seimitsu.in

SHORT PITCH K1 ATTACHMENTS



DIN 8187-2 Outer Attachment for European Series

Base Chain Model	Diamond Att.No.	P	T	M	D	A	L	I	B	b
08B	46 D 083 01 K1 00	12.586	1.58	11.00	4.50	6.54	12.34	8.89	36.40	25.40
10B	46 D 101 01 K1 00	15.77	1.58	14.28	5.30	9.17	15.60	10.31	44.63	31.80
12B	46 D 120 01 K1 00	18.91	1.81	15.88	6.60	11.08	18.23	13.46	52.35	38.10
16B	32 D 160 01 K1 05	25.235	3.05	18.85	6.80	12.50	24.50	15.90	74.80	50.80
20B	32 D 200 01 k1 01	31.60	3.53	26.15	9.00	17.01	30.25	19.80	90.00	63.50

ANSI B29.1 Outer Attachment for American Series

Base Chain Model	Diamond Att.No.	P	T	M	D	A	L	I	B	b
40	32 D 08A 01 K1 02	12.586	1.50	11.40	4.20	7.00	14.07	7.90	39.74	25.40
40	32 D 08A 01 K1 05	12.586	1.50	11.40	6.00	7.00	14.07	7.90	39.50	25.40
50	32 D 102 01 K1 06	15.77	2.00	14.27	5.10	8.82	17.50	10.31	49.10	31.75
60	32 D 121 01 K1 01	18.91	2.39	15.88	5.10	10.05	18.77	11.90	55.60	38.10
80	32 D 161 01 k1 01	25.247	3.05	45.90	7.00	13.70	27.20	12.70	73.80	50.80
100	32 D 201 01 K1 02	31.75	4.00	22.25	8.21	17.87	28.32	19.84	84.40	63.50
120	32 D 241 01 K1 03	38.10	4.70	28.45	9.81	20.08	34.38	23.01	104.80	76.20
140	32 D 281 01 K1 01	44.45	5.56	34.85	11.38	27.29	43.44	28.58	121.20	88.90
160	32 D 321 01 K1 02	50.80	6.30	37.85	13.11	27.83	47.53	31.75	141.00	101.60

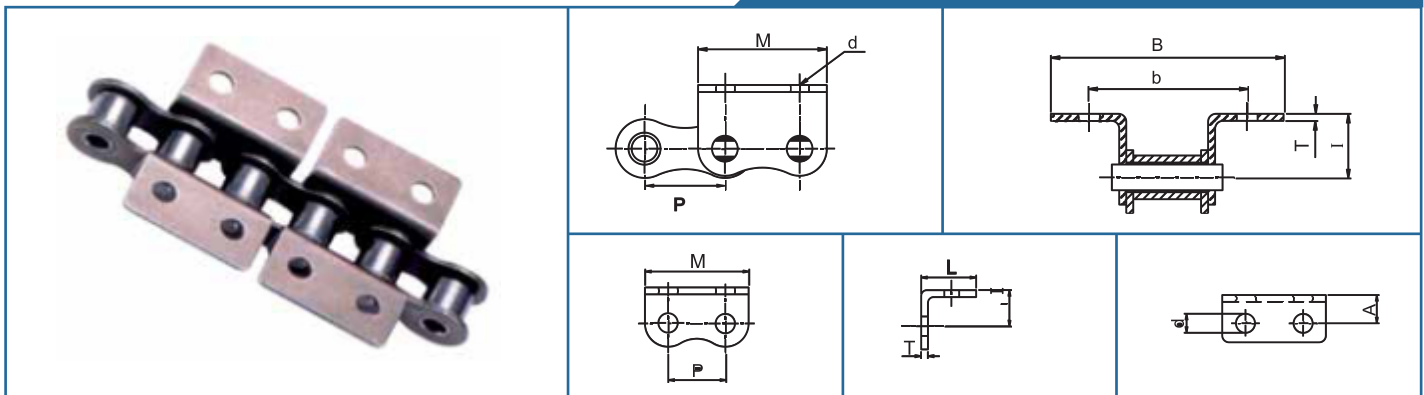
Work Standard Outer Attachment for European Series

Base Chain Model	Diamond Att.No.	P	T	M	D	A	L	I	B	b
06B	32 D 061 01 K1 02	9.45	1.00	8.00	3.50	5.04	9.04	6.05	27.00	19.00
08B	32 D 083 01 K1 05	12.586	1.58	9.50	4.30	8.24	12.74	8.40	37.20	28.20
10B	32 D 101 01 K1 02	15.77	1.58	14.10	5.20	9.18	17.10	10.40	47.60	31.80
12B	32 D 120 01 k1 04	18.91	1.81	15.85	5.60	9.51	17.50	12.00	51.60	35.00
16B	32 D 160 01 K1 01	25.247	3.05	45.90	8.05	13.70	25.11	14.80	76.00	53.20

Work Standard Inner Attachment for European Series

Base Chain Model	Diamond Att.No.	P	T	M	D	A	L	I	B	b
06B	34 D 061 01 K1 00	9.45	1.25	8.00	3.50	6.51	10.51	6.50	27.00	19.00
08B	34 D 083 01 K1 09	12.70	1.58	9.50	4.30	10.06	14.56	8.40	37.20	28.20
10B	34 D 101 01 K1 03	15.862	1.58	14.10	5.20	10.94	17.10	10.40	44.12	31.80
12B	34 D 120 01 k1 05	19.05	1.81	16.00	5.60	11.54	17.50	12.00	47.21	35.00
16B	34 D 160 01 K1 07	25.40	3.60	19.00	6.80	16.32	25.50	15.90	69.17	50.80
20B	34 D 200 01 k1 02	31.75	4.40	25.25	8.40	21.70	32.95	19.85	83.80	63.50

SHORT PITCH K2 ATTACHMENTS



DIN 8187-2 Outer Attachment for European Series

Base Chain Model	Diamond Att.No.	P	T	M	D	A	L	I	B	b
08B	48 D 083 01 K2 00	12.586	1.58	4.50	23.22	6.84	12.34	8.89	36.40	25.40
10B	48 D 101 01 k2 00	15.77	1.58	5.50	29.31	9.17	15.60	10.30	44.63	31.80
12B	48 D 120 01 K2 00	18.91	1.81	6.60	32.99	11.08	18.23	13.40	52.40	38.10
16B	32 D 160 01 K2 19	25.40	3.05	6.80	45.90	12.50	26.20	15.90	78.20	50.80
20B	48 D 200 01 k2 00	31.75	3.53	9.00	58.04	17.00	28.10	19.80	85.70	63.50

ANSI B29.1 Outer Attachment for American Series

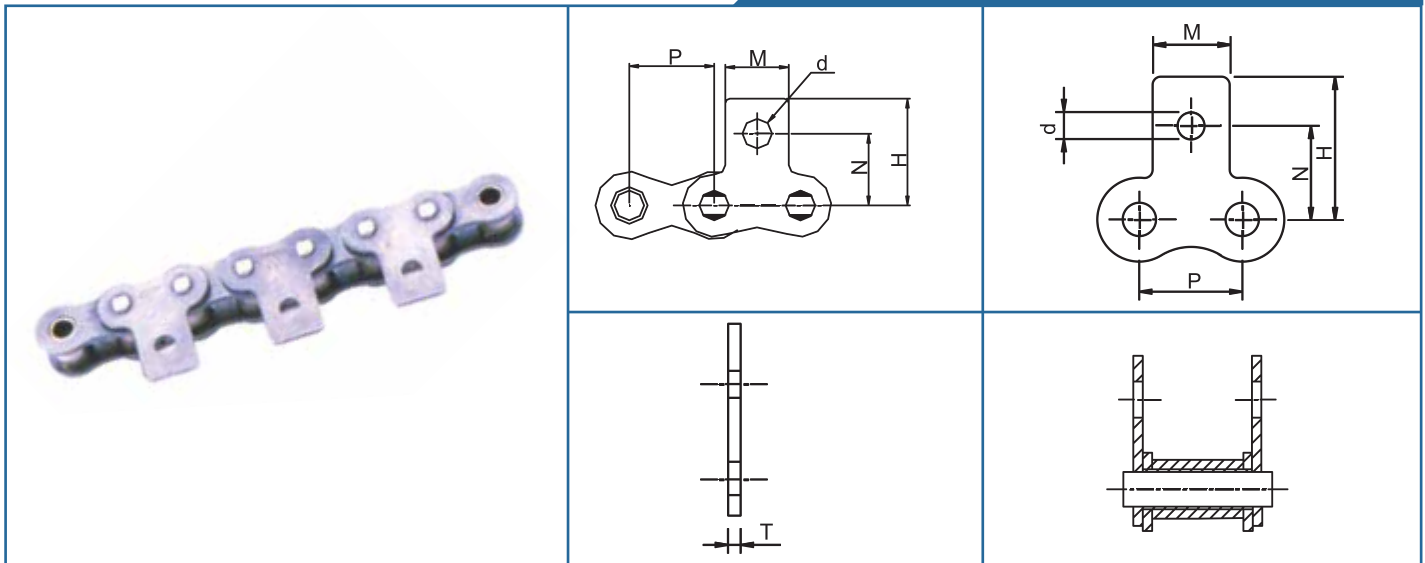
Base Chain Model	Diamond Att.No.	P	T	M	D	A	L	I	B	b
40	32 D 08A 01 K2 01	12.586	1.50	4.20	23.33	7.00	14.07	7.90	39.74	25.40
50	32 D 102 01 K2 01	15.77	2.00	5.50	29.28	8.85	16.35	10.30	46.80	31.81
60	32 D 121 01 k2 01	19.05	2.39	5.10	34.87	10.05	18.90	11.90	55.80	38.10
80	32 D 161 01 K2 03	25.247	3.05	5.00	45.90	16.85	27.20	12.70	77.80	50.80
100	32 D 201 01 K2 01	31.75	4.00	8.21	56.69	17.87	28.32	19.84	84.40	63.50
120	32 D 241 01 K2 01	38.10	4.70	9.81	68.71	20.08	34.38	23.01	104.80	76.20
140	32 D 281 01 K2 01	44.45	5.56	11.38	80.52	27.29	43.44	28.58	121.20	88.90
160	32 D 321 01 k2 01	50.80	6.30	13.11	91.44	27.83	47.53	31.75	141.00	101.60

DIN 8187-2 Outer Attachment for European Series

Base Chain Model	Diamond Att.No.	P	T	M	D	A	L	I	B	b
06B	32 D 061 01 K2 01	9.45	1.00	3.50	17.60	5.04	9.04	6.50	27.00	19.00
08B	32 D 083 01 K2 03	12.586	1.58	4.30	23.22	8.24	12.74	8.40	37.20	28.20
10B	32 D 101 01 K2 01	15.77	1.58	5.20	29.31	9.18	17.10	10.40	47.60	31.80
12B	32 D 120 01 K2 04	18.91	1.81	5.60	32.99	9.52	22.54	12.00	61.00	35.06
16B	32 D 160 01 K2 01	25.40	3.05	8.00	45.90	13.71	25.11	14.80	76.00	53.20

ATTACHMENT CHAINS

SHORT PITCH M1 ATTACHMENTS



DIN 8187-2 Outer Attachment for European Series

Base Chain Model	Diamond Att.No.	P	T	d	M	N	H
08B	42 D 083 01 M1 00	12.59	1.58	4.50	11.00	13.00	18.42
10B	42 D 101 01 M1 00	15.77	1.58	5.30	14.28	16.50	23.10
12B	42 D 120 01 M1 00	18.91	1.81	6.60	15.88	21.00	28.43
16B	42 D 160 01 M1 00	25.235	3.05	6.60	19.05	23.15	33.82
20B	42 D 200 01 M1 00	31.75	3.53	9.00	25.25	30.50	42.00

ANSI B29.1 Outer Attachment for American Series

Base Chain Model	Diamond Att.No.	P	T	d	M	N	H
40	32 D 08A 01 M1 02	12.586	1.50	4.20	11.40	12.70	19.24
50	31 D 102 01 M1 03	15.77	2.00	5.10	14.28	15.52	24.20
60	31 D 121 01 M1 01	19.05	2.39	5.10	15.88	19.05	26.70
80	31 D 161 01 BM1	25.247	3.15	6.60	18.85	25.40	34.95
100	31 D 201 01 M1 01	31.75	4.00	8.21	22.25	31.75	42.00
120	31 D 241 01 M1 01	38.10	4.70	9.81	28.45	38.10	52.55
140	31 D 281 01 M1 01	44.45	5.50	11.38	34.85	44.50	64.32
160	31 D 321 01 M1 01	50.80	6.30	13.11	37.85	50.80	68.15

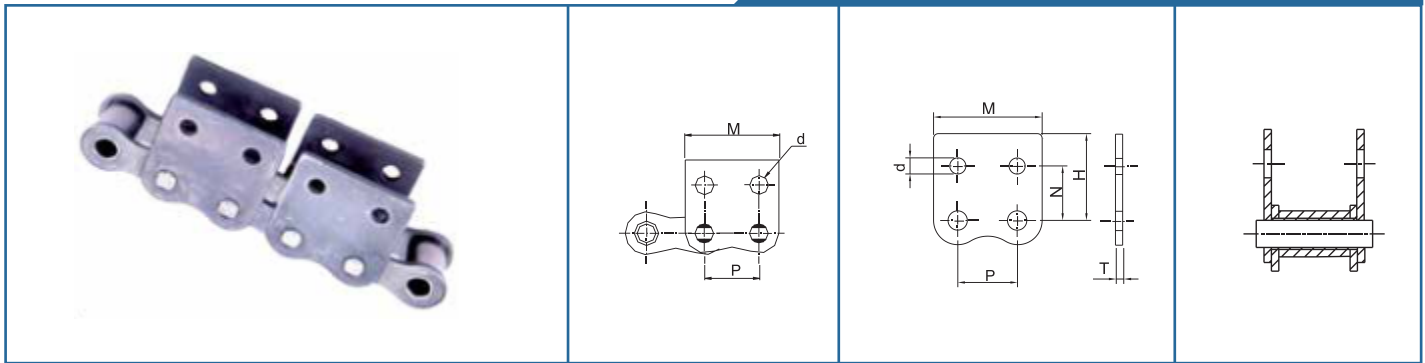
Work Standard Outer Attachment for European Series

Base Chain Model	Diamond Att.No.	P	T	d	M	N	H
06B	31 D 061 01 M1 03	9.45	1.00	3.50	8.00	9.75	13.75
08B	31 D 083 01 M1 02	12.586	1.58	4.30	9.50	14.10	18.34
10B	31 D 101 01 M1 02	15.77	1.58	5.20	14.10	15.90	24.70
12B	31 D 120 01 M1 02	18.91	1.81	5.60	15.85	17.90	26.23
16B	31 D 160 01 M1 03	25.235	3.05	6.08	18.85	26.00	34.95
20B	31 D 200 01 M1 01	31.75	3.53	8.40	25.25	31.75	42.00

Work Standard Inner Attachment for European Series

Base Chain Model	Diamond Att.No.	P	T	d	M	N	H
06B	34 D 061 01 M1 00	9.525	1.00	3.50	8.00	9.50	13.41
08B	33 D 083 01 M1 08	12.70	1.58	4.30	9.50	14.10	18.40
10B	33 D 101 01 M1 03	15.862	1.58	5.20	14.10	15.90	24.70
12B	33 D 120 01 M1 05	19.05	1.81	5.60	16.00	17.90	26.23
16B	33 D 160 01 M1 05	25.40	3.60	6.80	19.00	26.00	34.95
20B	33 D 200 01 M1 01	31.75	4.40	9.00	25.25	30.50	42.00

Note : Please select the required attachment plate and specify the frequency of positioning the attachments while ordering for chains.



DIN 8187-2 Outer Attachment for European Series

Base Chain Model	Diamond Att.No.	P	T	d	M	N	H
08B	44 D 083 01 M2 00	12.586	1.58	4.50	23.22	13.00	18.34
10B	44 D 101 01 M2 00	15.77	1.58	5.30	29.31	16.50	23.10
12B	44 D 120 01 M2 00	18.91	1.81	6.60	32.99	21.00	28.43
16B	44 D 160 01 M2 00	25.235	3.05	6.60	45.90	23.15	33.82
20B	44 D 200 01 M2 00	31.75	3.53	9.00	58.04	30.50	42.00

ANSI B29.1 Outer Attachment for American Series

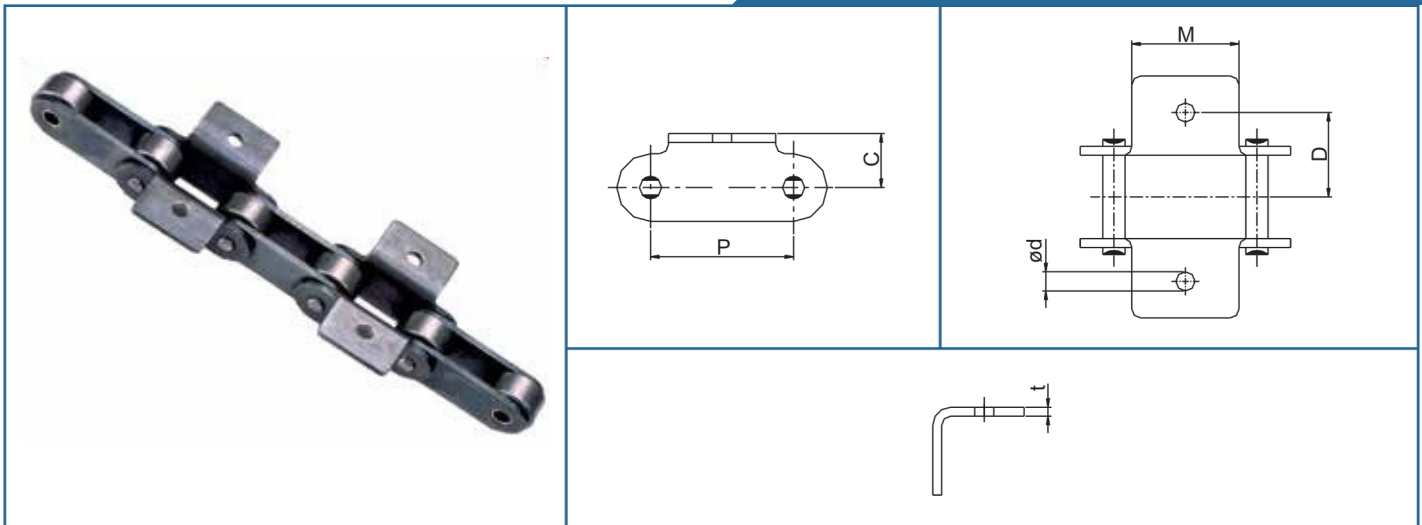
Base Chain Model	Diamond Att.No.	P	T	d	M	N	H
40	31 D 08A 01 M2 02	12.586	1.50	4.20	23.22	12.70	19.24
50	31 D 102 01 M2 03	15.77	2.00	5.10	29.31	15.88	24.20
60	31 D 121 01 M2 01	19.05	2.39	5.10	34.87	19.05	26.70
80	31 D 161 01 BM2 31	25.247	3.15	6.60	45.90	25.40	36.64
100	D 201 01 M2 01 31	31.75	4.00	8.21	56.69	31.75	42.00
120	D 241 01 M2 01 31	38.10	4.70	9.81	68.71	36.53	52.55
140	D 281 01 M2 01 31	44.45	5.50	11.38	80.52	44.50	64.32
160	D 321 01 M2 01	50.80	6.30	13.11	91.44	50.80	68.15

Work Standard Outer Attachment for European Series

Base Chain Model	Diamond Att.No.	P	T	d	M	N	H
06B	31 D 061 01 M2 00	9.45	1.00	3.50	17.60	9.50	13.41
08B	31 D 083 01 M2 02	12.586	1.58	4.30	23.22	14.40	18.34
10B	31 D 101 01 M2 01	15.77	1.58	5.20	29.31	15.90	24.70
12B	31 D 120 01 m2 02	18.91	1.81	5.60	32.99	17.90	31.28
16B	31 D 160 01 M2 02	25.235	3.05	6.80	45.90	26.00	36.64

ATTACHMENT CHAINS

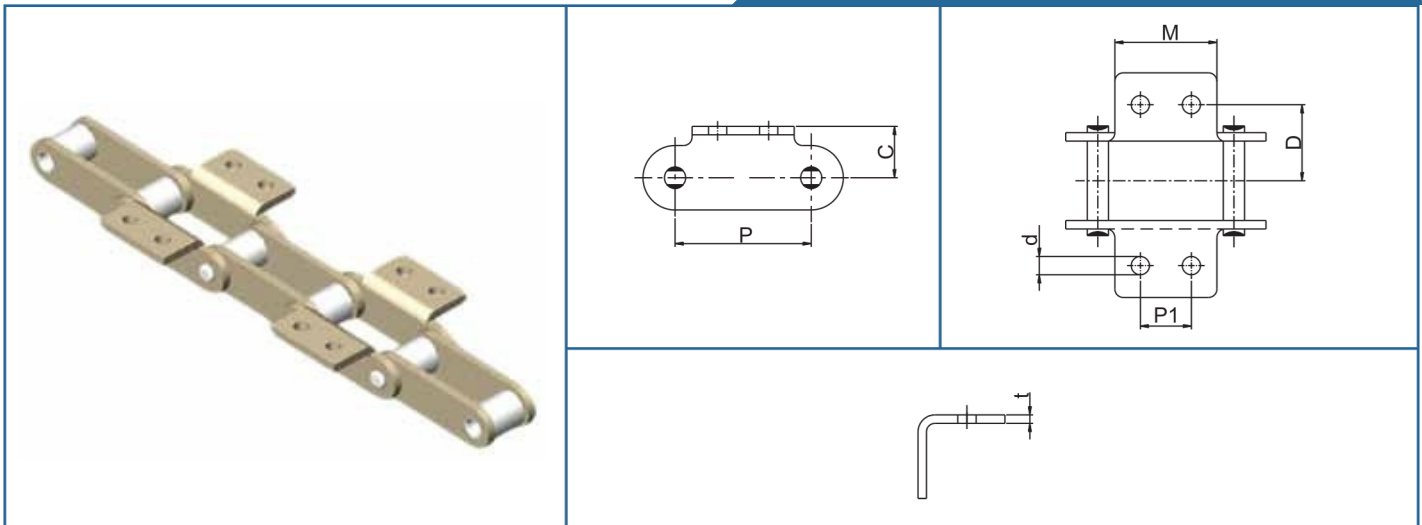
DOUBLE PITCH K1 ATTACHMENTS



ANSI 29.4 Outer Attachment for American Series

Base Chain Model	Diamond Att.No.	Pitch (P)	Thickness (t)	M	d	D	C
C 2040	32-A 08A 01 BK1	25.40	1.50	19.10	3.33	12.70	9.12
C 2042							
C 2050	32-A 102 01 BK1	31.75	2.00	23.80	5.10	15.90	11.10
C 2052							
C 2060	32-A 121 01 K1 01	38.10	2.40	28.60	5.08	21.44	14.68
C2062							
C2060H	32-A 122 01 K1 01	38.10	3.15	28.60	5.08	21.44	14.68
C2062H							
C2080	32-A 161 01 K1 01	50.80	3.15	38.10	6.80	27.80	19.10
C2082							
C2080H	32-A 162 01 K1 01	50.80	4.00	38.10	6.80	27.80	19.10
C2082H							
C2100	32-A 201 01 K1 01	63.50	4.00	47.60	8.20	33.32	23.42
C2102							
C2100H	32-A 202 01 k1 01	63.50	4.70	47.60	8.20	33.32	23.42
C2102H							
C2120	32-A 241 01 K1 01	76.20	4.70	57.20	9.80	39.67	27.80
C2122							
C2120H	32-A 242 01 K1 01	76.20	5.56	57.20	9.80	39.67	27.79
C2122H							
C2160	32-A 321 01 K1 01	101.60	5.56	76.20	13.11	52.37	36.53
C2162							
C2160H	32-A 322 01 K1 01	101.60	7.14	76.20	13.11	52.37	36.53
C2162H							

Note : Please select the required attachment plate and specify the frequency of positioning the attachments while ordering for chains.



ANSI B29.4 Outer Attachment for American Series

Base Chain Model	Diamond Att.No.	Pitch (P)	Thickness (t)	M	d	D	C	P1
C 2040	32-A 08 01 K201	25.40	1.50	19.10	3.33	12.70	9.12	9.52
C 2042								
C 2050	32-A 102 01 SK2	31.75	2.00	23.80	5.20	15.90	11.10	11.90
C 2052								
C 2060	32-A 121 01 SK2	38.10	2.39	28.60	5.20	21.40	14.70	14.30
C2062								
C2060H	32-A 122 01 K2 01	38.10	3.15	28.60	5.20	21.45	14.70	14.30
C2062H								
C2080	32-A 161 01 K2 01	50.80	3.15	38.10	6.80	27.80	19.10	19.10
C2082								
C2080H	32-A 162 01 K2 05	50.80	4.00	38.10	6.80	27.80	19.10	19.05
C2082H								
C2100	32-A 201 01 K2 01	63.50	4.00	47.60	8.20	33.32	23.42	23.80
C2102								
C2100H	32-A 202 -1 K2 01	63.50	4.70	47.60	8.20	33.32	23.42	23.80
C2102H								
C2120	32-A 241 01 K2 01	76.20	4.70	57.20	9.80	39.67	27.79	28.58
C2122								
C2120H	32-A 242 01 K2 01	76.20	5.56	57.20	9.80	39.67	27.79	28.58
C2122H								
C2160	32- A 321 01 K2 01	101.60	5.56	76.20	13.11	52.37	36.53	38.10
C2162								
C2160H	32-A 322 01 K2 01	101.60	7.14	76.20	13.11	52.37	36.53	38.10
C2162H								

WORK STANDARD ATTACHMENT CHAINS



“U” ATTACHMENT



SPIKE ATTACHMENT



**WELDED ATTACHMENT WITH
TEFLON WASHER**



PRINTING INDUSTRY



SPECIAL ATTACHMENT



REDLER ATTACHMENT

