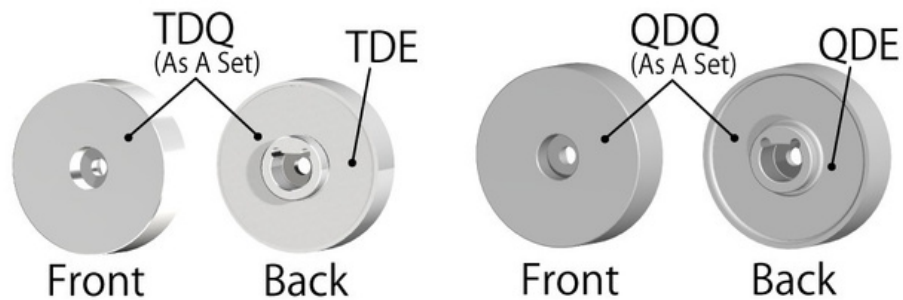


NON-CONTACT SEALED MAGNETIC COUPLINGS

A magnetic coupling suitable for use in submerged or acidic environments

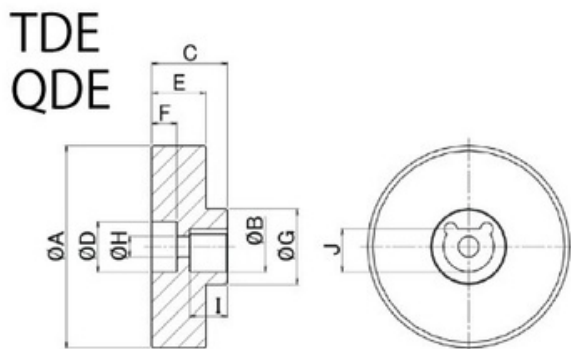
Non-Contact Technology Enables Clean, Quiet, and Safe Power Transmission

- No particle generation caused by contact surface wear
- Barrier transmission enables seal-less structures
- Low noise and vibration through non-contact power transmission
- Easier assembly with high angular and eccentric misalignment
- tolerance Magnetic slip under overload helps improve safety



Sealed Magnetic Couplings are a type of magnetic coupling that utilizes neodymium magnets and is specially designed to transmit torque across a barrier without physical contact. Since no shaft penetration or dynamic seals are required, they help reduce the risk of liquid or gas leakage while providing a highly sealed transmission system. The magnetic coupling assembly is enclosed within a protective cover. Models with a resin (PVC) cover are suitable for acidic environments, while models with a stainless steel (SUS) cover can be used in submerged applications. The most suitable specification can be selected according to the operating environment and application requirements. All products presented on this page are engineered-to-order models with established designs. We also offer custom-made solutions tailored to your specific application requirements and performance needs. Please feel free to contact us for further information.

Magnet Material : Neodymium Magnet



TDQ with Stainless Steel cover / Made-to-Order Item

Model (Set)	Model (Individual)	Dimensions											Maximum transmissible torque (N·m) and Air gap		
		A	B (Dimensions)	B (Tolerance)	C	D	E	F	G	H	I	J (Dimensions)	J (Tolerance)	5 mm	10 mm
TDQ6060-08	TDE60-08	60	15	+0.05 0	25	16	16.6	10	22	8.2	10	13	+0.1 +0.02	2.059	0.716
TDQ7070-08	TDE70-08	70	20		25	20	16.6	10	30	8.2	10	17		3.707	1.52
TDQ8080-08	TDE80-08	80	20		30	20	21.5	10	30	8.2	15	17		6.238	2.863
TDQ100100-08	TDE100-08	100	20		30	20	21.5	10	30	8.2	15	17		12.384	6.404
TDQ120120-10	TDE120-10	120	25		42	25	22	15	38	11	20	21		21.153	11.082
TDQ150150-12	TDE150-12	150	35		50	25	22	15	55	11	28	30		47.243	25.917

QDQ with Resin cover / Made-to-Order Item

Model (Set)	Model (Individual)	Dimensions							Unit weight (g)	Maximum transmissible torque (N·m) and Air gap		
		A	B(Dimensions)	B(Tolerance)	C	D	E	Set screw		0.5 mm	1 mm	2 mm
NM1616-08	MD16-08	16	8	+0.05 0	19.5	15	12	M3	15	0.02	0.015	0.008
NM2626-08	MD26-08	26	12		25	24	14	M4	40	0.098	0.08	0.053
NM3535-12	MD35-12	35	15		32	32	22	M5	100	0.24	0.191	0.121

The above product data are values measured under ambient temperature conditions.