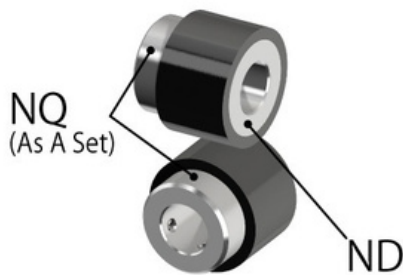


# NON-CONTACT MAGNETIC SCREW GEARS

## A magnetic gear used for skew shafts

### Non-Contact Technology Enables Clean, Quiet, and Safe Power Transmission

- No particle generation caused by contact surface wear
- Lubrication-free operation
- Barrier transmission enables seal-less structures
- Low noise and vibration through non-contact power transmission
- Easier assembly with high angular and eccentric misalignment tolerance
- Magnetic slip under overload helps improve safety



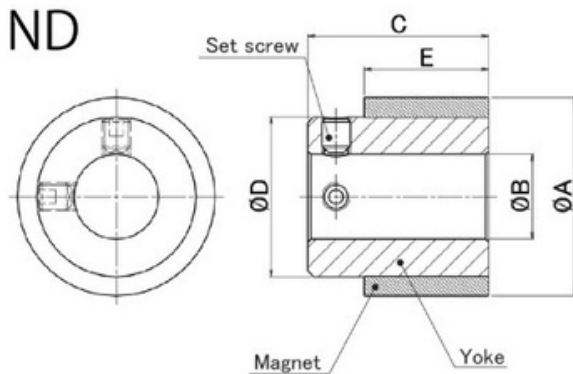
< Neodymium Magnet >

A combination of two cylinders

Magnets : electrolytic Ni plating

Yoke : electroless Ni plating (SC steel)

This product is currently in very limited stock. Please contact us separately to discuss quantities and lead times.



### Standard Stock Item

Model (Set)	Model (Individual)	Dimensions								Unit weight (g)	Maximum transmissible torque (N·m) and Air gap		
		A	B(Dimensions)	B(Tolerance)	C	D	E	G	Set screw		0.5 mm	1 mm	2 mm
NQ2222-08	ND22C-08	22	10	+0.022 0	25	17.2	17.5	-	M4	50	0.172	0.135	0.084
NQ2626-08	ND26-08	26	12	+0.027 0	25	20.2	14	-	M4	65	0.204	0.167	0.109
NQ3535-08	ND35-08	35	15		32	29.3	22	-	M5	170	0.576	0.495	0.366
NQ3535-12	ND35-12	35	15		32	28.2	22	-	M5	170	0.507	0.403	0.256
NQ5555-12	ND55-12	55	25	+0.033 0	38	46.2	25	-	M8	485	1.785	1.648	1.177

The above product data are values measured under ambient temperature conditions.