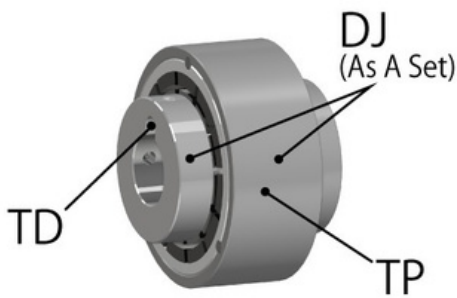


NON-CONTACT CYLINDRICAL COAXIAL MAGNETIC COUPLINGS

A magnetic coupling designed to suppress thrust
Non-Contact Technology Enables Clean, Quiet, and Safe Power Transmission

- No particle generation caused by contact surface wear
- Barrier transmission enables seal-less structures
- Low noise and vibration through non-contact power transmission
- Easier assembly with high angular and eccentric misalignment tolerance
- Magnetic slip under overload helps improve safety



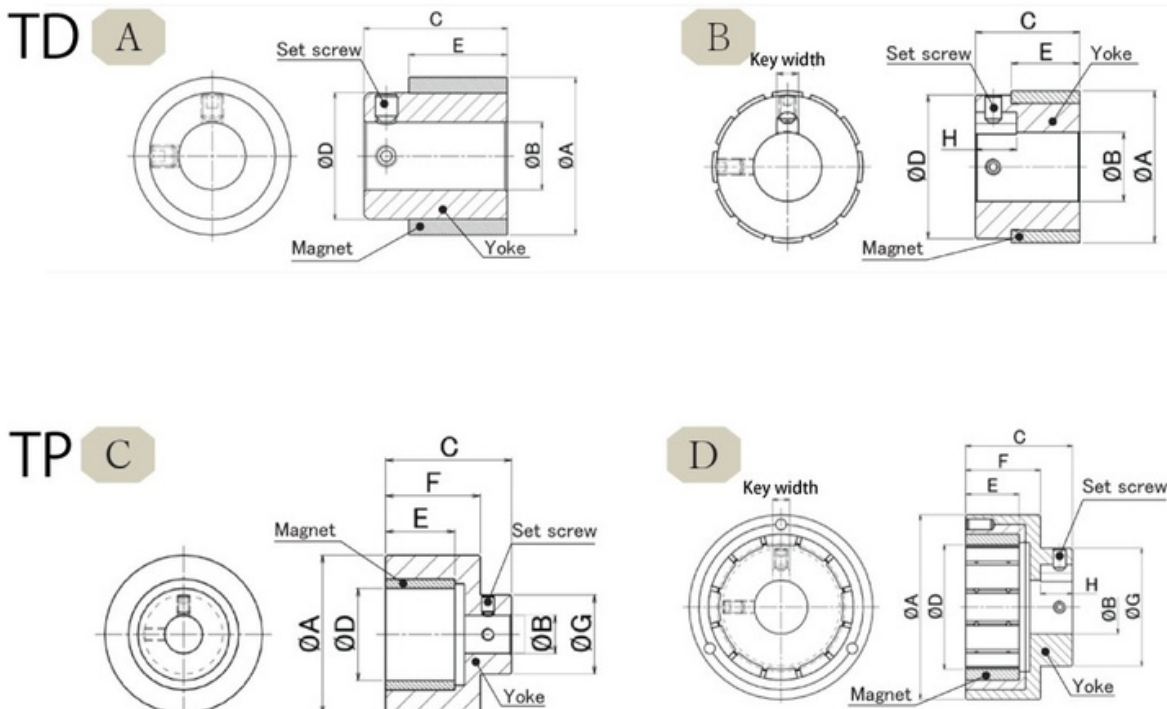
Cylindrical Coaxial Magnetic Couplings using neodymium magnets are designed to prevent the generation of axial thrust while transmitting torque and absorbing axial vibration.

Magnet Material : Neodymium Magnet

Surface Treatment :

Magnets - Electrolytic Ni plating

Yoke - Electroless Ni plating / SC steel



Made-to-Order Item

Model (Set)	Model (Individual)	Reference drawing	Dimensions										Set screw	Maximum transmissible torque (N·m) and Air gap	
			A	B (Dimensions)	B (Tolerance)	C	D	E	F	G	H	Key width (Dimensions)		Key width (Tolerance)	1.5 mm
DJ2635-18	TD26-18	A	26	12	+0.027 0	25	20.2	14	-	-	-	-	-	M4	1.707
	TP35-18	C	50	12		40	29.1	22	30	25	-	-	-		
DJ4355-12	TD43-12	B	43	20	+0.033 0	38	41	25	-	-	12	6	+0.1 0	M5	14.008
	TP55-12	D	73	20		50	46	25	35	45	12	6			
DJ5568-12	TD55-12	B	55	25		+0.2 0	38	52	25	-	-	15	8	M6	23.333
	TP68-12	D	86	25	50		58	25	35	55	15	8			

The above product data are values measured under ambient temperature conditions.