

810 SERIES

Pneumatic Toggle Clamps | Product Overview

Features:

- Pneumatic version of Series 210 manual clamps
- Sensor ready for round or T-slot style sensors
- Built-in flow restriction eliminates need for external flow controls

Applications:

- Assembly
- Welding

Also Available:

See page MC-ACC-1 for spindle accessories

See page MC-PSC-38 for sensing options

810-U
810-UE



810-S
810-SE



Technical Information | Holding Capacities

Model	Maximum Holding Capacity		Maximum Exerting Force @ 5bar [72PSI]		Weight	Bore Size	Air Consumption† dm ³ [ft ³]	Port Size	Accessories (Supplied)			
	Inner	Outer	Inner	Outer					Spindle Accessory	Flanged Washers	Bolt Retainer	
810-U	[600 lbf] 2670 N	[290 lbf] 1290 N	[856 lbf] 3834 N					1/8 NPT	--			
810-UE				[407 lbf] 1823 N	[4.07lb] 1,85kg	[1.57] 40	[0.029] 0,83	G-1/8	240208-M	235106	--	
810-S	[750 lbf] 3340 N	[500 lbf] 2220 N	[702 lbf] 3143 N					1/8 NPT	--	--		210114
810-SE								G-1/8				

†Per double stroke at 5bar [72PSI]

Max Cylinder Pressure: 10bar [145psig]*

Max Operating Temp: -10°C to 90°C [-14°F to 194°F]

Replacement Seal Kit: 810450-40-1-00

Replacement Clamp Assembly: 810-U-LC, 810-S-LC

Replacement Cylinder Assembly: 810CYL

*In no case should the inlet pressure be high enough to create an exerting force that exceeds the clamp's holding capacity.

Sensor Accessories

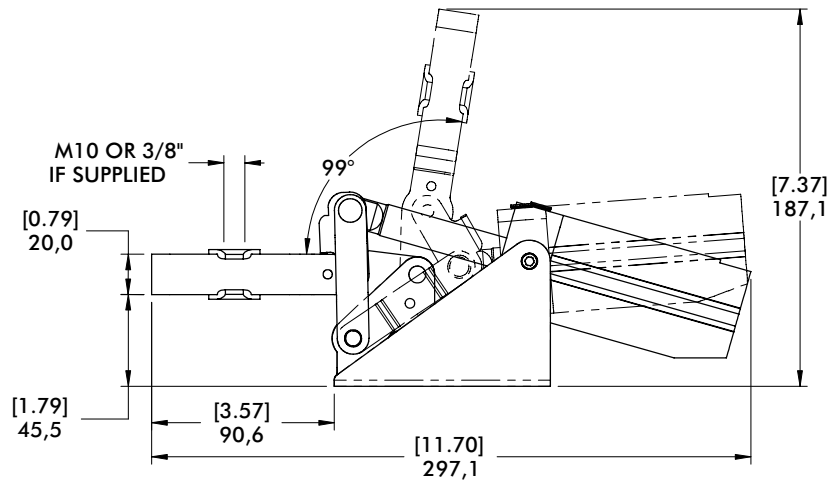
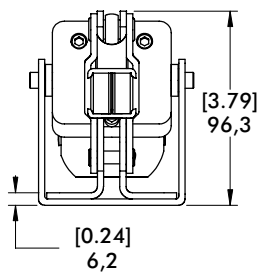
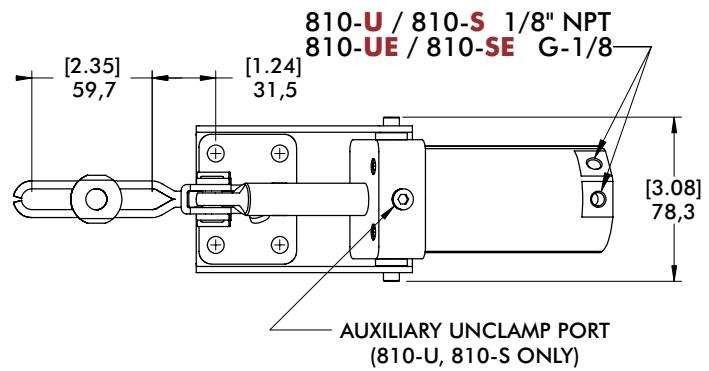
	Item Number
Round Reed Switch with Quick Disconnect	810169
T-slot Reed Switch with Quick Disconnect	8EA-109-1
Quick Disconnect 2M Extension Cable	CABL-010
Quick Disconnect 5M Extension Cable	CABL-013

See Pneumatic Accessories section for more options

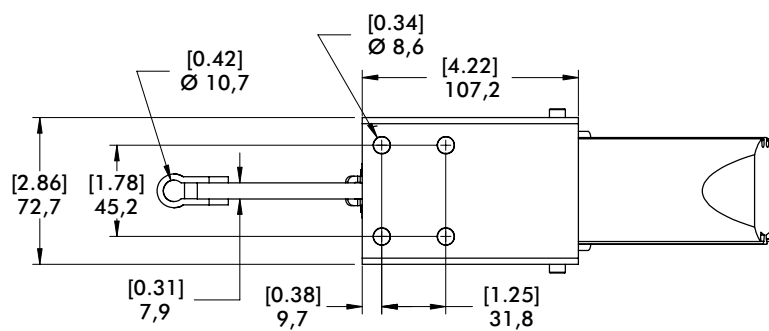
810 SERIES

Pneumatic Toggle Clamps | Dimensions

810-U
810-UE



810-S
810-SE



mm [INCH]
THIRD ANGLE PROJECTION