

F Series	Applicable cylinder	CKL2 LCG LCM LCR LSH MDC2 MSD MSDG-L MVC RCS2 SSD2 STM Hand (LSH BSA2 LHA)
-----------------	---------------------	--

Uses a bend-resistant lead wire as standard.

* There are bore sizes which cannot be combined.



F*S



F*V

F*H



F*YV
F3PV



F*YH
F3PH

Specifications

Item	Reed 2-wire		Proximity 2-wire		Proximity 3-wire	Proximity 3-wire	Proximity 3-wire
	F0H/V	F2H/V / F2S	F2YH / F2YV	F3H/V / F3S	F3PH/V	F3YH / F3YV	
Applications	Dedicated for programmable controller				For programmable controller, relay		
Output method	-				NPN output	PNP output	NPN output
Power supply voltage	-				10 to 28 VDC	4.5 to 28 VDC	10 to 28 VDC
Load voltage	24 VDC ±10%	10 to 30 VDC	24 VDC ±10%	30 VDC or less			
Load current	5 to 20 mA (*1)				50 mA or less		
Current consumption	-				10 mA or less with 24 VDC		
Internal voltage drop	4 V or less				0.5 V or less	0.5 V or less at 30 mA	0.5 V or less
Indicator lamp	Yellow LED (Lit when ON) *3		Red/green LED (Lit when ON)		Yellow LED *3 (Lit when ON)	Yellow LED (Lit when ON)	Red/green LED (Lit when ON)
Leakage current	1 mA or less				10 µA or less		
Lead wire length	1 m (bend-resistant, oil resistant vinyl cabtyre cable 2-conductor 0.15 mm ²)				1 m (bend-resistant, oil resistant vinyl cabtyre cable 3-conductor 0.15 mm ²)		
Shock resistance	294 m/s ²		980 m/s ²				
Insulation resistance	20 MΩ and over with 500 VDC megger						
Withstand voltage	No failure after 1 minute of 1,000 VAC application						
Ambient temperature	-10 (14°F) to +60°C (140°F)						
Degree of protection	IEC Standard IP67, JIS C0920 (water-tight), oil resistance						
Contact protection circuit *4	None		-				
Weight	1 m:10 g 3 m:29 g				1 m:10 g 3 m:29 g		

*1: Max. load current: 20 mA at 25°C. The current is lower than 20 mA if the operating ambient temperature around the switch is higher than 25°C. (5 to 10 mA at 60°C)

*2: With F2S and F3S, if mounting two switches in one groove to enable detection at both ends, mount them so that their set screws face outward.

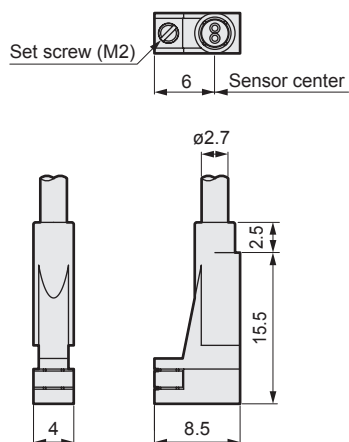
*3: Indicator lamps for F2S and F3S are red.

*4: Refer to Intro Page 80 for contact protective measures.

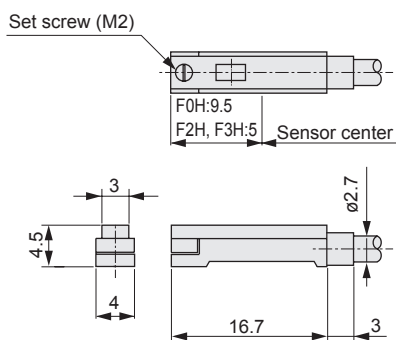
*5: Uses a bend-resistant lead wire.

Dimensions

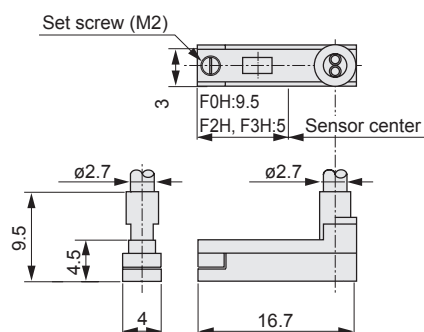
- F*S Series (Lead wire vertical lead-out, for short stroke length detection)



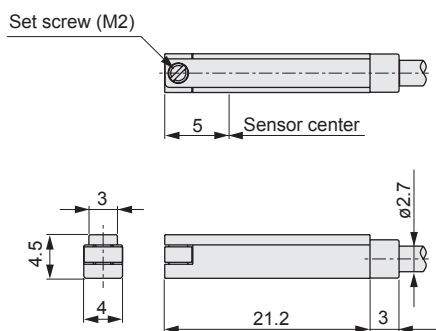
- F*H Series (lead wire straight)



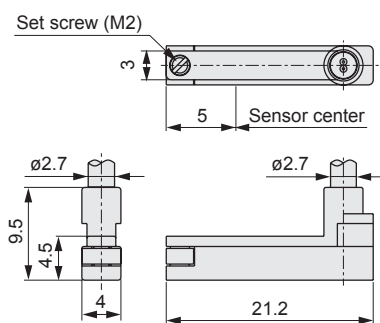
- F*V Series (radial lead wire)



- F*YH/F3PH Series (lead wire straight)



- F*YV/F3PV Series (lead wire L-shaped)



Switch internal circuit diagram

● F0H/F0V	● F2S/F2H/F2V/F2YH/F2YV	● F3S/F3H/F3V/F3YH/F3YV	● F3PH/F3PV