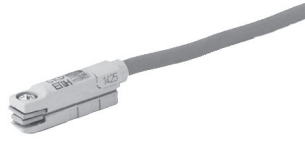


E Series	Heat resistance	Applicable cylinder	SCA2-L2T(E0) SSD-T1L(ET0) SSD2-T1L(ET0)
----------	-----------------	---------------------	---



E0



ET0



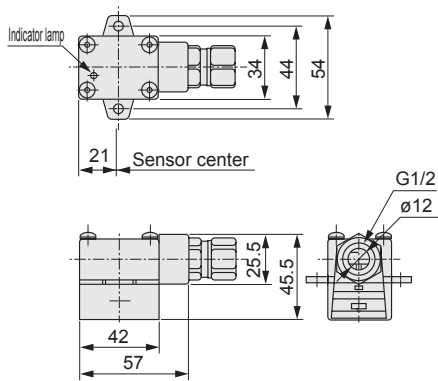
Specifications

Item	Reed 2-wire					
	E0			ET0		
Applications	For relay, programmable controller					
Load voltage	12/24 VDC	110 VAC	220 VAC	12/24 VDC	110 VAC	
Load current	5 to 50 mA	7 to 20 mA	7 to 10 mA	5 to 50 mA	7 to 20 mA	
Internal voltage drop	4 V or less			3.0 V or less		
Leakage current	0 mA					
Indicator lamp	Red LED (Lit when ON)			Yellow LED (Lit when ON)		
Conduit screw	G1/2			-		
Lead wire length	-			1 m (heat-resistant fluorine insulation cable 2-conductor 0.5 mm ²)		
Insulation resistance	100 MΩ and over with 500 VDC megger					
Withstand voltage	No failure after 1 minute of 1,500 VAC application.			No failure after 1 minute of 1,000 VAC application.		
Shock resistance	294 m/s ²					
Ambient temperature	-10 (14°F) to +120°C (248°F)			-10 (14°F) to +150°C (302°F)		
Degree of protection	IEC Standards IP67, JIS C0920 (water-tight), oil resistance					
Contact protection circuit *1	None					
Weight	164 g			44 g		

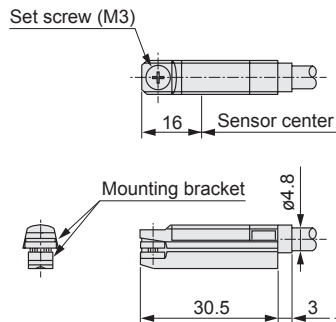
*1: Refer to Intro Page 80 for contact protective measures.

Dimensions

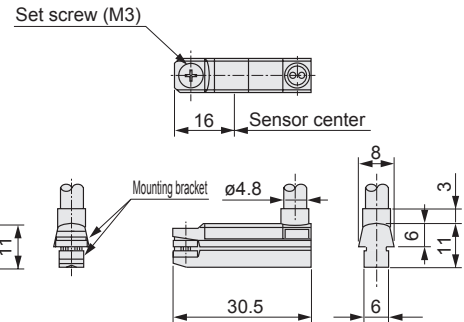
● E Series



● ET0H Series (axial lead wire)



● ET0V Series (radial lead wire)



Switch internal circuit diagram

