



Floating fitting

FJ Series

● Cylinder diameter: $\varnothing 20$ to $\varnothing 200$



Specifications

Item Model No.	Nominal port size of thread x pitch	Max. working tension and compression (kN) *1			Allowable eccentricity (mm)	Oscillating angle	Ambient temperature
		Basic	Flange	Foot			
FJ*- 3	M3×0.5	0.019	—	—	0.5	±5°	-10 (14°F) to 60°C (140°F)
4	M4×0.7	0.053	—	—	0.5		
5	M5×0.8	0.121	—	—	0.5		
6	M6×1.0	1.08	—	—	0.75		
8	M8×1.0	1.08	1.08	1.08	0.75		
8-1.25	M8×1.25	1.08	1.08	1.08	0.75		
10	M10×1.25	2.45	2.45	2.45	0.75		
12-1.25	M12×1.25	2.45	2.45	2.45	0.75		
12	M12×1.5	2.45	2.45	2.45	0.75		
14	M14×1.5	5.88	5.88	5.88	1.0		
16	M16×1.5	10.8	10.8	10.8	1.5		
18	M18×1.5	10.8	10.8	10.8	1.5		
22	M22×1.5	17.6	17.6	17.6	2.0		
26	M26×1.5	27.5	27.5	27.5	3.0		
30	M30×1.5	60.8	60.8	60.8	3.0		
36	M36×1.5	87.3	87.3	87.3	4.0		
40	M40×1.5	87.3	87.3	87.3	4.0		
45	M45×1.5	108	108	108	4.0		

*1: Max. working tension and compression shows static load.

*2: FJ-8-1.25 and FJ-12-1.25 are optional products.
FJ-36, 40 and 45 are made-to-order products.

How to order

FJ - **0** - **3**

A Mounting

B Nominal port size of thread x pitch

[Example of model No.]

FJ-0-3

Model: Floating fitting

A Mounting : Basic

B Nominal port size of thread x pitch : M3×0.5

FJ

Specifications for rechargeable battery

(Catalog No. CC-1226A)

(The model numbers are only for sizes 3, 4 and 5. As for the other sizes, products with standard model No. can support rechargeable batteries.)

FJ - ... - **P4***

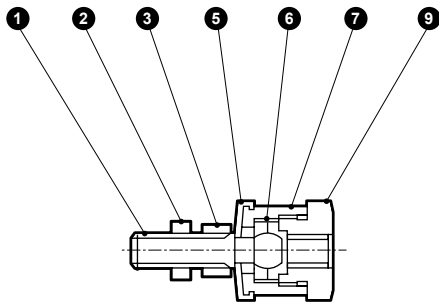
● Design compatible with rechargeable battery manufacturing process

* Contact CKD for details.

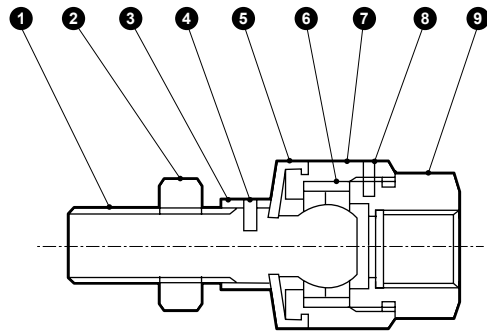
Code	Description			
A	Mounting			
0	Basic			
L	Foot			
F	Flange			
B	Nominal port size of thread x pitch			
	Mounting	O	L	F
3	M3×0.5	●		
4	M4×0.7	●		
5	M5×0.8	●		
6	M6×1.0	●		
8	M8×1.0	●	●	●
8-1.25	M8×1.25	●	●	●
10	M10×1.25	●	●	●
12-1.25	M12×1.25	●	●	●
12	M12×1.5	●	●	●
14	M14×1.5	●	●	●
16	M16×1.5	●	●	●
18	M18×1.5	●	●	●
22	M22×1.5	●	●	●
26	M26×1.5	●	●	●
30	M30×1.5	●	●	●
36	M36×1.5	●	●	●
40	M40×1.5	●	●	●
45	M45×1.5	●	●	●

Internal structure and parts list

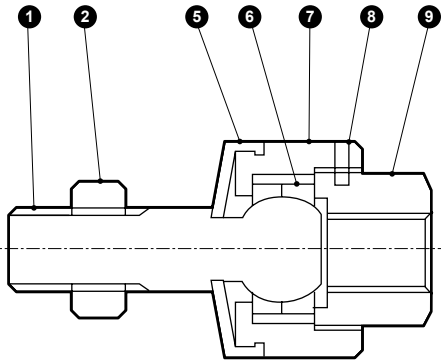
● FJ-O-3 to 5



● FJ-O-6, 8, 10
FJ-O-36 to 45



● FJ-12 to 30



Cannot be disassembled

No.	Part name	Material	Treatment	No.	Part name	Material	Treatment
1	Ball stud	Alloy steel	Trivalent chromate treatment	8	Spring pin	Steel	Black finish
2	Rod nut	Steel	Trivalent chromate treatment	9	Socket	Copper alloy (FJ-3 to 5)	Electroless nickel plating
3	Stud nut	Steel	Trivalent chromate treatment			Steel (FJ-6 to 45)	Trivalent chromate treatment
4	Spring pin	Steel	Black finish		Foot	Steel (FJ-8.10.12)	Trivalent chromate treatment
5	Dust cover	Nitrile rubber	—			Cast iron (FJ-14 to 30)	Trivalent chromate treatment
6	Ball holder	Steel (FJ-3 to 5)	Electroless nickel plating			Steel (FJ-36 to 45)	Trivalent chromate treatment
		Alloy steel (FJ-6 to 45)	Trivalent chromate treatment		Flange	Steel	Trivalent chromate treatment
7	Case	Copper alloy (FJ-3 to 5)	Electroless nickel plating				
		Steel (FJ-6 to 45)	Trivalent chromate treatment				

*1: Spring pin ④ is not available for FJ-6, 8 and 10.

*2: Dust cover ⑤ is not included with FJ-30 and over.

SCP*3

CMK2

CMA2

SCM

SCG

SCA2

SCS2

CKV2

CAV2/
COVP/N2

SSD2

SSG

SSD

CAT

MDC2

MVC

SMG

MSD/
MSDG

FC*

STK

SRL3

SRG3

SRM3

SRT3

MRL2

MRG2

SM-25

ShkAbs

FJ

FK

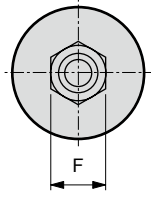
Spd
Contr

Ending

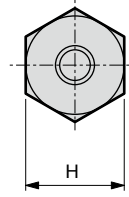
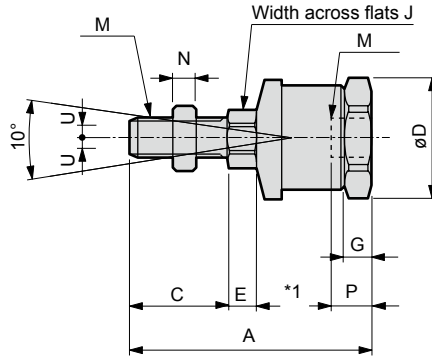


Dimensions: Basic

● FJ-0-3 to 5

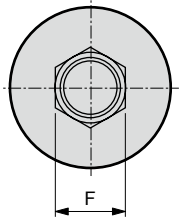


Rod nut dimensions

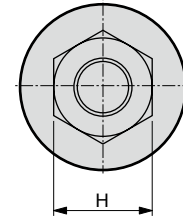
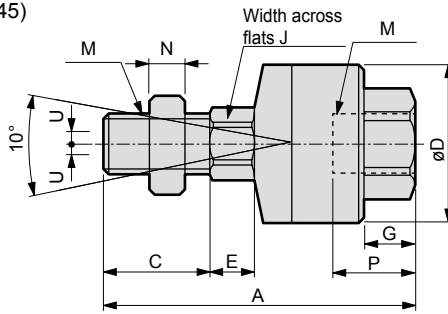


● FJ-0-6, 8, 10, 36 to 45

(Dust cover is not included with FJ-36 to 45)

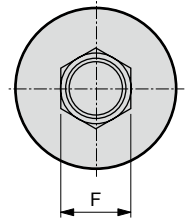


Rod nut dimensions

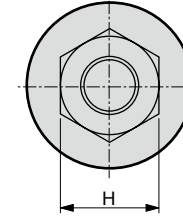
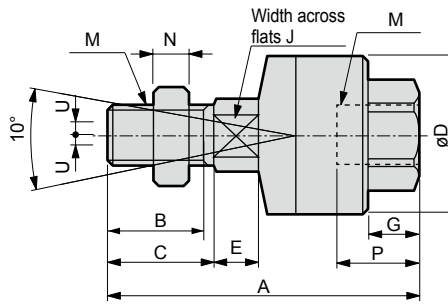


● FJ-0-12 to 30

(Dust cover is not included with FJ-30)



Rod nut dimensions



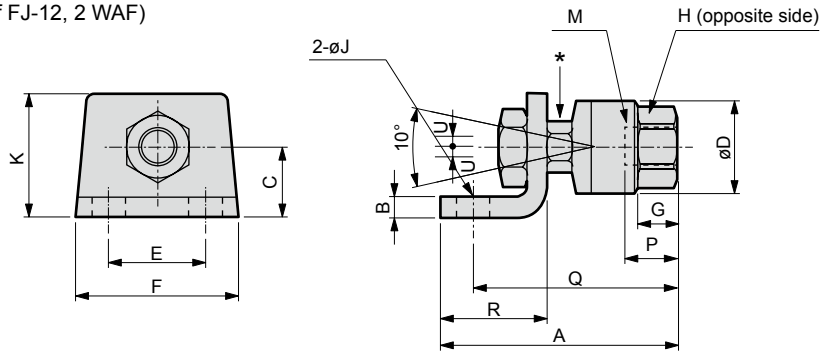
1: For FJ--3 to 5, strictly observe the screw-in depth (P).

STK	Model No.	Major cylinders	M		A	B	C	D	E	F	G	H	J	N	P ^{*1}	Allowable eccentricity	Max. working tension and compression KN	Weight kg
			Nominal port size	Pitch												U		
	FJ-O-3	SCPD3-6/SMG-6	3	0.5	23	—	8.3	12	2.5	5.5	2.5	11	5.5	1.8	4	0.5	0.019	0.012
SRL3	4	SCPD3-10/SMG-10	4	0.7	26	—	10	12	3.5	7	2.5	11	5.5	2.4	3.7	0.5	0.053	0.012
	5	SCPD3-16/SSD/SSD2-12-N/SMG-16	5	0.8	31.6	—	12	15.5	4	8	3.5	14	7	3.2	5.2	0.5	0.121	0.022
SRG3	6	SSD/SSD2-16-N/SMG-20	6	1.0	45.4	—	15.8	21	4	10	9	17	10	3.6	12	0.75	1.08	0.057
	8	CMA2/CMK2/CKV2-20/JSK2/JSM2-20	8	1.0	48.4	—	18.8	21	4	13	9	17	10	5	12	0.75	1.08	0.061
SRM3	8-1.25	SMG-25/SSD/SSD2-20-N/SCM-20	8	1.25	48.4	—	18.8	21	4	13	9	17	10	5	12	0.75	1.08	0.061
SRT3	10	CMA2-30/SMG-32/CMK2/SCG/CKV2-25/32/FCD-25-N/SSD/SSD2-25-N/SCM-25/32/JSK2-25/32/JSM2-30	10	1.25	56.2	—	22	24	7	17	10	19	12	6	12	0.75	2.45	0.092
MRL2	12	CMA2/CMK2/CKV2-40/JSK2/JSM2-40	12	1.5	58	20.5	23	27	6	19	10	21	12	7	11.8	0.75	2.45	0.12
MRG2	12-1.25	-	12	1.25	58	20.5	23	27	6	19	10	21	12	7	11.8	0.75	2.45	0.12
SM-25	14	SCG-40/SCA2-40/FCD-32/40-N/SSD/SSD2-32/40-N/SCM-40/JSC3-40	14	1.5	68.5	20	22	32	7	22	13	27	14	8	16.5	1.0	5.88	0.22
ShkAbs	16	CAV2-50/COV2-50	16	1.5	84.2	26	29	43	11	24	14	27	16	10	16.9	1.5	10.8	0.4
FJ	18	SCG-50/63/SCA2-50/63/FCD-50/63-N/SSD/SSD2-50/63-N/SCM-50/63/JSC3-50/63	18	1.5	84.2	26	29	43	11	27	14	27	18	11	16.9	1.5	10.8	0.41
FK	22	SCG-80/SCA2-80/SSD/SSD2-80-N/SCM-80/JSC3-80	22	1.5	102.5	31	34	53	14	32	17	32	22	13	17.2	2.0	17.6	0.75
	26	SCG-100/SCA2-100/SSD/SSD2-100-N/SCM-100/JSC3-100	26	1.5	121.6	39	42	69	15	41	20	41	26	16	20.8	3.0	27.5	1.5
Spd Contr	30	SCS2-125/140/JSC4-125/140	30	1.5	145.2	47	50	90	16	46	21	46	30	18	26	3.0	60.8	3.1
	36	SCS2-160/JSC4-160	36	1.5	163.5	—	57	108	16	55	22	55	36	21	25	4.0	87.3	4.6
	40	SCS2-180/JSC4-180	40	1.5	170.5	—	64	108	16	60	22	55	40	24	25	4.0	87.3	4.7
Ending	45	SCS2-200	45	1.5	199.5	—	72	118	18	70	24	60	45	27	35	4.0	108	7.0

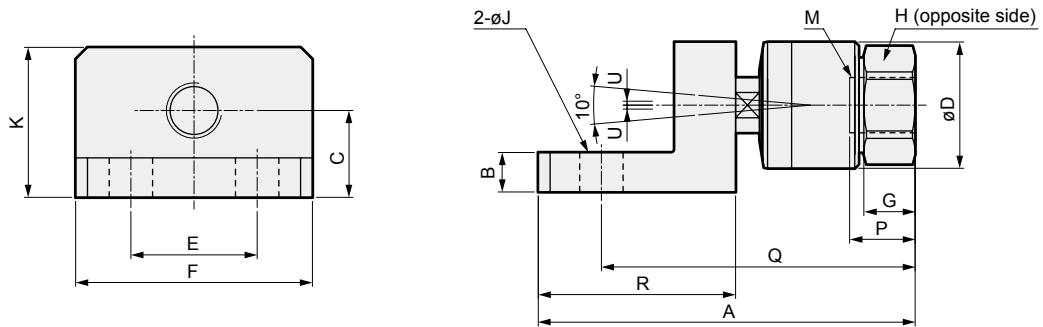
Dimensions: Foot



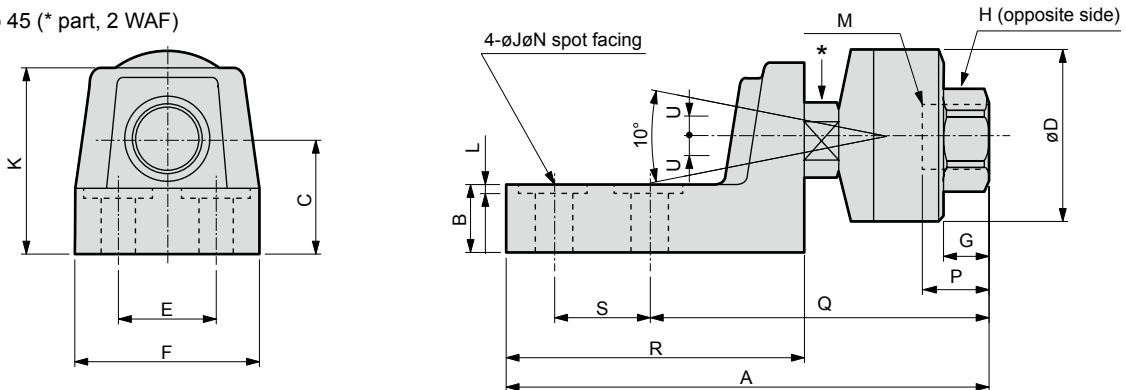
- FJ-L-8 to 12 (* part of FJ-12, 2 WAF)



- FJ-L-14



- FJ-L-16 to 45 (* part, 2 WAF)



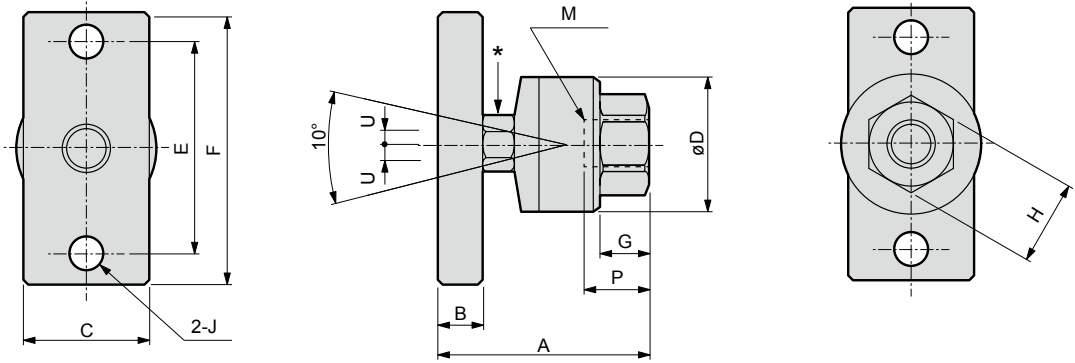
Model No.	Major cylinders	M		A	B	C	D	E	F	G	H	J	K	L	N	P	Q	R	S	Allowable eccentricity U	Max. working tension and compression KN	Weight kg
		Nominal port size	Pitch																			
FJ-L-8	CMA2/CMK2/CKV20/JSK2/JSM2-20	8	1.0	54.6	3.2	15	21	26	44	9	17	9	25	—	—	12	45.6	25	—	0.75	1.08	0.1
8-1.25	SMG-25/SSD/SSD2-20-N/SCM-20	8	1.25	54.6	3.2	15	21	26	44	9	17	9	25	—	—	12	45.6	25	—	0.75	1.08	0.1
10	CMA2-30/SMG-32/CMK2/SCG/CKV2-25/32/FCD-25-N/SSD/SSD2-25-N/SCM-25/32/JSK2-25/32/JSM2-30	10	1.25	64.5	5	19	24	26	44	10	19	9	32	—	—	12	54.5	30	—	0.75	2.45	0.18
12	CMA2/CMK2/CKV2-40/JSK2/JSM2-40	12	1.5	64.6	5	19	27	26	44	10	21	9	32	—	—	11.8	54.6	30	—	0.75	2.45	0.19
12-1.25	-	12	1.25	64.6	5	19	27	26	44	10	21	9	32	—	—	11.8	54.6	30	—	0.75	2.45	0.19
14	SCG-40/SCA2-40/FCD-32/40-N/SSD/SSD2-32/40-N/SCM-40/JSC3-40	14	1.5	95.5	10	22	32	32	60	13	27	11	38	—	—	16.6	79.5	50	—	1.0	5.88	0.43
16	CAV2-50 COV2-50	16	1.5	140.2	14	28	43	32	60	14	27	11	46	—	—	16.9	93.1	85	32	1.5	10.8	0.4
18	SCG-50/63/SCA2-50/63/FCD-50/63-N/SSD/SSD2-50/63-N/SCM-50/63/JSC3-50/63	18	1.5	140.2	14	28	43	32	60	14	27	11	46	—	—	16.9	93.1	85	32	1.5	10.8	1.1
22	SCG-80/SSD/SSD2-80-N/SCA2-80/SCM-80/JSC3-80	22	1.5	163.5	19	35	53	36	68	17	32	14	55	—	—	17.2	110.5	95	36	2.0	17.6	2.1
26	SCG-100/SCA2-100/SSD/SSD2-100-N/SCM-100/JSC3-100	26	1.5	179.6	24	42	69	36	68	20	41	14	64	1.5	26	20.8	126.6	100	36	3.0	27.5	2.9
30	SCS2-125/140/JSC4-125/140	30	1.5	217.2	35	55	90	46	82	21	46	18	80	1.5	32	26	152.2	122	46	3.0	60.8	5.6
36	SCS2-160/JSC4-160	36	1.5	254.5	41	67	108	56	100	22	55	22	97	—	—	25	177	148	56	4.0	87.3	8.9
40	SCS2-180/JSC4-180	40	1.5	254.5	41	67	108	56	100	22	55	22	97	—	—	25	177	148	56	4.0	87.3	8.8
45	SCS2-200	45	1.5	294	41	70	118	66	125	24	60	26	103	—	—	35	203	166	66	4.0	108	13.2

SCP*3
CMK2
CMA2
SCM
SCG
SCA2
SCS2
CKV2
CAV2/COVP/N2
SSD2
SSG
SSD
CAT
MDC2
MVC
SMG
MSD/MSDG
FC*
STK
SRL3
SRG3
SRM3
SRT3
MRL2
MRG2
SM-25
ShkAbs
FJ
FK
Spd Contr
Ending

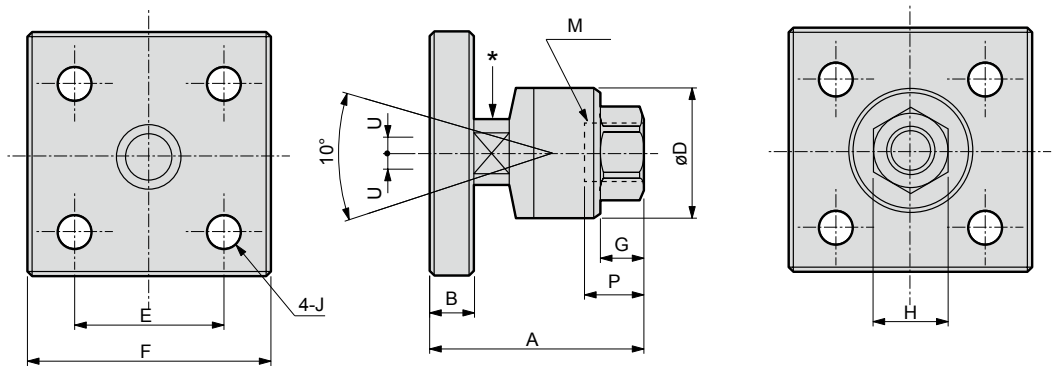


Dimensions: Flange

● FJ-F-8 to 14 (* part of FJ-12 and 14, 2 WAF)



● FJ-F-16 to 45 (* part of FJ-36, 40 and 45, hexagon nut)



Model No.	Major cylinders	M		A	B	C	D	E	F	G	H	J	P	Allowable eccentricity	Max. working tension and compression KN	Weight kg
		Nominal port size	Pitch											U		
FJ-F- 8	CMA2/CMK2/CKV-20/ JSK2/JSM2-20	8	1.0	35.6	6	19	21	40	52	9	17	6.6	12	0.75	1.08	0.11
8-1.25	SMG-25/SSD/ SSD2-20-N/SCM-20	8	1.25	35.6	6	19	21	40	52	9	17	6.6	12	0.75	1.08	0.11
10	CMA2-30/SMG-32/CMK2/ SCG/CKV2-25/32/FCD-25-N/ SSD/SSD2-25-N/SCM-25/32/ JSK2-25/32/JSM2-30	10	1.25	43.2	9	25	24	44	56	10	19	6.6	12	0.75	2.45	0.18
12	CMA2/CMK2/CKV2-40/ JSK2/JSM2-40	12	1.5	43.6	9	25	27	44	56	10	21	6.6	11.8	0.75	2.45	0.19
12-1.25	-	12	1.25	43.6	9	25	27	44	56	10	21	6.6	11.8	0.75	2.45	0.19
14	SCG-40/SCA2-40/FCD-32/40-N/ SSD/SSD2-32/40-N/SCM-40/JSC3-40	14	1.5	57.5	12	32	32	60	80	13	27	11	16.5	1.0	5.88	0.56
16	CAV2-50/COV2-50	16	1.5	71.2	16	—	43	50	75	14	27	11	16.9	1.5	10.8	1.1
18	SCG-50/63/SCA2-50/63/ FCD-50/63-N/SSD/SSD2-50/63-N/ SCM-50/63/JSC3-50/63	18	1.5	71.2	16	—	43	50	75	14	27	11	16.9	1.5	10.8	1.1
22	SCG-80/SCA2-80/SSD/ SSD2-80-N/SCM-80/JSC3-80	22	1.5	87.5	19	—	53	62	100	17	32	14	17.2	2.0	17.6	1.9
26	SCG-100/SCA2-100/SSD/ SSD2-100-N/SCM-100/JSC3-100	26	1.5	101.6	22	—	69	70	100	20	41	14	20.8	3.0	27.5	2.8
30	SCS2-125/140/JSC4-125/140	30	1.5	120.2	25	—	90	90	125	21	46	18	26	3.0	60.8	5.6
36	SCS2-160/JSC4-160	36	1.5	135	29	—	108	114	150	22	55	22	25	4.0	87.3	9.4
40	SCS2-180/JSC4-180	40	1.5	135	29	—	108	114	150	22	55	22	25	4.0	87.3	9.3
45	SCS2-200	45	1.5	159	32	—	118	132	175	24	60	26	35	4.0	108	13.4