



Pressure Gauge Outdoor Series

GW49D Series

● Port size: R1/8, R1/4

JIS symbol



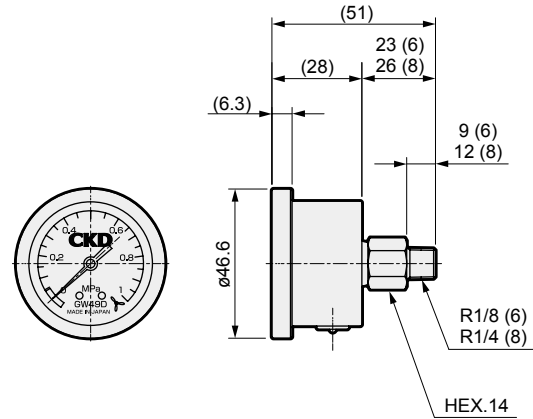
Specifications

1 MPa ≈ 145.0 psi, 1 MPa = 10 bar

Item	GW49D	
Working fluid	Compressed air	
Fluid temperature °C	5 (41°F) to 60 (140°F)	
Ambient temperature °C	-10 (14°F) to 60 (140°F) (no freezing)	
Accuracy *1	Full scale ±3% (with 5 to 35°C)	
Shape	D type (rear side screw, stock section hexagon)	
Display system	ø46.6	
Material	Bourdon tube	Copper alloy
	Stock	Copper alloy (nickel plating)
	Housing	Stainless steel
	Lens	Tempered glass
Pressure range MPa	0 (≈0 psi, 0 bar) to 1.0 (≈145 psi, 10 bar)	
Port size R	1/8, 1/4	
Weight g	100	

*1: The guaranteed indicator accuracy temperature is 20±15°C.

Dimensions



How to order

GW49D - 6 - P10

A Model No.

B Port size

C Pressure display

Code	Description
A Model No.	GW49D
B Port size	6 R¹/₈
	8 R¹/₄
C Pressure display [MPa] *1	P10 0 to 1.0 MPa

*1: Consult with CKD concerning psi or bar display.

- F.R.L.
- F.R.
- F (Filtr)
- R (Reg)
- L (Lub)
- Drain Separ
- Mech Press SW
- Res press exh valve
- SlowStart
- Anti-bac/Bac-remove Filtr
- Film Resist FR
- Oil-ProhR
- Med Press FR
- No Cu/ PTFE FRL
- Outdrs FRL
- Adapter Joiner
- Press Gauge**
- CompFRL
- LgFRL
- PreCsR
- VacF/R
- Clean FR
- ElecPneuR
- AirBoost
- Speed Ctrl
- Silncr
- CheckV/ other
- Fit/Tube
- Nozzle
- Air Unit
- PreCsCompn
- Electro Press SW
- ContactSW
- AirSens
- PresSW Cool
- Air Flo Sens/Ctrl
- WaterRISens
- TotAirSys (Total Air)
- TotAirSys (Gamma)
- Gas generator
- RefrDry
- DesicDry
- HiPolymDry
- MainFiltr
- Dischrg etc
- Ending