



Miniature motorized 2, 3-port ball valve

MHB4/MHG4 Series

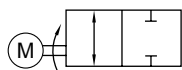
● Port size: Rc3/8 to Rc3/4



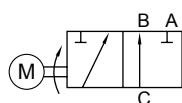
- EXA
- FWD
- HNB/G
- USB/G
- FAB/G
- FGB/G
- FVB
- FWB/G
- FHB
- FLB
- AB
- AG
- AP/AD
- APK/ADK
- DryAir
- EX-XPLNprf
- XPLNprf
- HVB/HVL
- S \diamond B/NAB
- LAD/NAD
- Water-Rela
- NP/NAP/NVP
- SNP
- CHB/G
- MXB/G**
- Other valves
- SWD/MWD
- DustColl
- CVE/CVSE
- CCH/CPE/D
- LifeSci
- Gas-Combus
- Auto-Water
- Outdoor
- SpecFld
- Custom
- Ending

JIS symbol

● MHB4



● MHG4



Common specifications

Item	MHB4/MHG4	
Working fluid	Water, air, oil (500 mm ² /s or less)	
Working pressure MPa	0 (\approx 0 psi, 0 bar) to 0.5 (\approx 73 psi, 5 bar)	
Proof pressure (water pressure) MPa	1.0 (\approx 150 psi, 10 bar)	
Fluid temperature °C	0 (32°F) to 80 (176°F) (no freezing)	
Ambient temperature °C	-10 (14°F) to 50 (122°F)	
Ambient humidity %	70 or less	
Mounting orientation	From vertical direction with the actuator on the top to horizontal direction. (Refer to page 784.)	
Rated voltage *1	100 VAC(50/60 Hz)	
Apparent power VA	Operating 100 VAC	4.4/3.5(50/60 Hz)
	Starting 100 VAC	4.4/3.5(50/60 Hz)
Power consumption W	5	
Frequency	1 time/min. or less	

Individual specifications

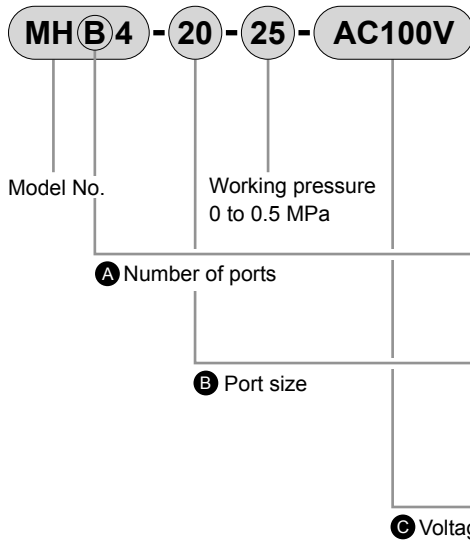
Item	2-port valve			3-port valve		
	MHB4-10-25	MHB4-15-25	MHB4-20-25	MHG4-10-25	MHG4-15-25	MHG4-20-25
Port size	Rc3/8	Rc1/2	Rc3/4	Rc3/8	Rc1/2	Rc3/4
Orifice size mm	8	8	10	8	8	10
Cv	3.3	3.0	4.7	1.8	1.1	3.0
Response time sec	50 Hz			9		
	60 Hz			7.5		
Weight kg	0.42	0.44	0.51	0.45	0.49	0.57
Pressurization direction	Arbitrary			Port C pressurization only		

*1 : Use the product within \pm 10% of the rated voltage.

*2 : Consult with CKD for specifications not indicated above.

*3 : The protection degree is JIS CO920 IPX2 "Drip proof type II", only when vertically mounted with the actuator positioned upward.

How to order



Code	Description
A Number of ports	
B	2-port
G	3-port
B Port size	
10	Rc3/8
15	Rc1/2
20	Rc3/4
C Voltage	
AC100V	100 VAC(50/60 Hz)

[Example of model No.]

MHB4-20-25-AC100V

Model: MHB4

- A** Number of ports : 2-port valve
- B** Port size : Rc3/4
- C** Voltage : 100 VAC (50/60 Hz)

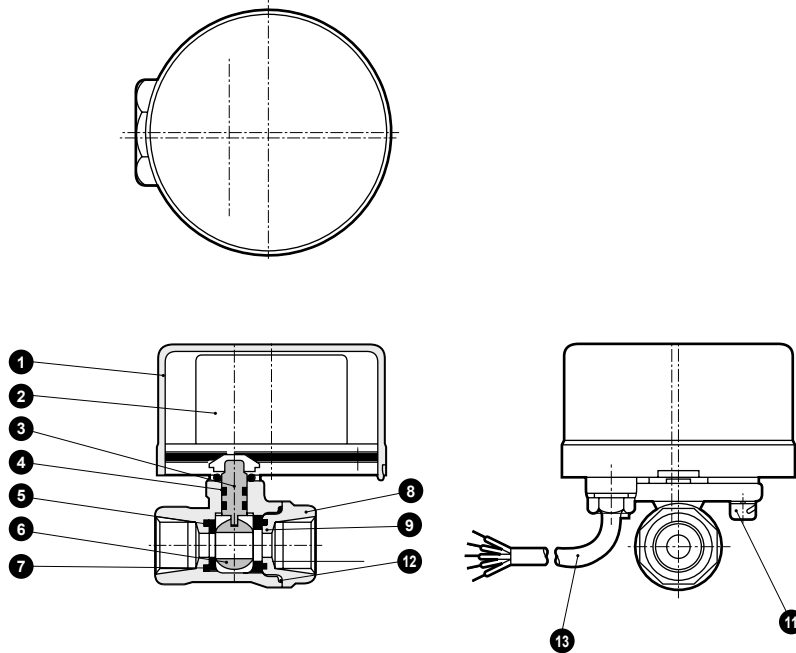
EXA
FWD
HNB/G
USB/G
FAB/G
FGB/G
FVB
FWB/G
FHB
FLB
AB
AG
AP/AD
APK/ADK
DryAir
EX-XPLNprf
XPLNprf
HVB/HVL
S [◇] B/NAB
LAD/NAD
Water-Rela
NP/NAP/NVP
SNP
CHB/G
MXB/G
Other valves
SWD/MWD
DustColl
CVE/CVSE
CCH/CPE/D
LifeSci
Gas-Combus
Auto-Water
Outdoor
SpecFld
Custom
Ending

MHB4/MHG4 Series

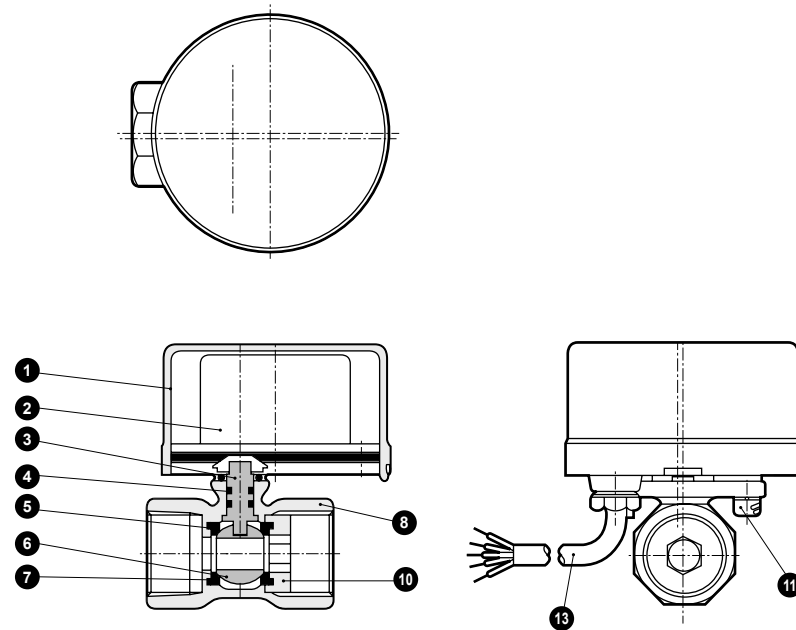
- EXA
- FWD
- HNB/G
- USB/G
- FAB/G
- FGB/G
- FVB
- FWB/G
- FHB
- FLB
- AB
- AG
- AP/AD
- APK/ADK
- DryAir
- EX-XPLNprf
- XPLNprf
- HVB/HVL
- S \diamond B/NAB
- LAD/NAD
- Water-Rela
- NP/NAP/NVP
- SNP
- CHB/G
- MXB/G**
- Other valves
- SWD/MWD
- DustColl
- CVE/CVSE
- CCH/CPE/D
- LifeSci
- Gas-Combus
- Auto-Water
- Outdoor
- SpecFld
- Custom
- Ending

Internal structure and parts list: MHB4 Series

● MHB4-10-25



● MHB4-15/20-25



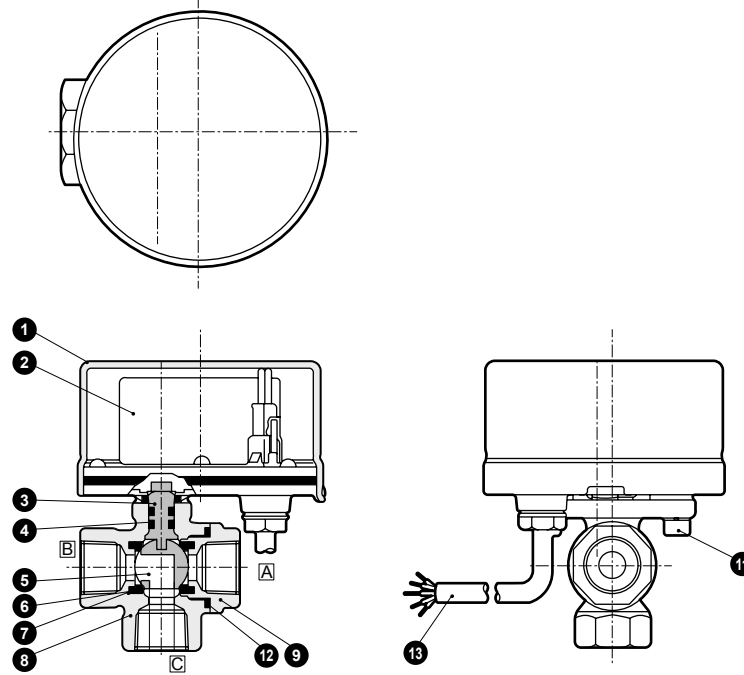
Cannot be disassembled

No.	Part name	Material	No.	Part name	Material
1	Cover	PP	7	Valve seat	PTFE Tetrafluoroethylene resin
2	Motor assembly	-	8	Body	CAC407/CAC408 Bronze casting
3	Shaft	SUS303	9	Cap	CAC407 Bronze casting
4	O-ring	FKM	10	Insert	CAC407 Bronze casting
5	O-ring	FKM	11	Hexagon socket head cap screw	SCM435 Alloy steel
6	Valve ball	C3771	12	O-ring	FKM Fluoro rubber
			13	Cabtyre cable	0.3 mm ² , 5-conductor

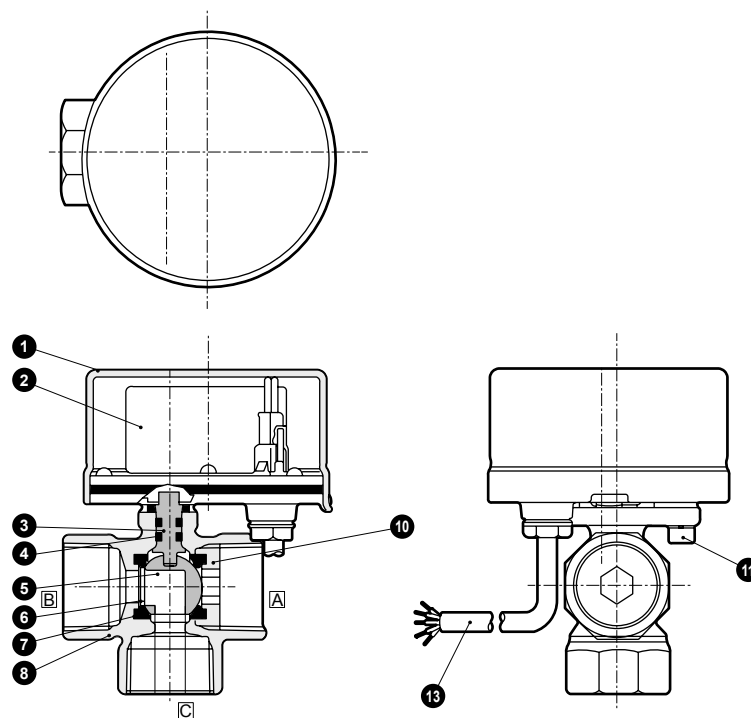
*1 : Valve ball is hard chrome plated copper alloy.

Internal structure and parts list: MHG4 Series

● MHG4-10-25



● MHG4-15/20-25



Cannot be disassembled

No.	Part name	Material	No.	Part name	Material
1	Cover	PP Polypropylene resin	7	O-ring	FKM Fluoro rubber
2	Motor assembly	-	8	Body	CAC407 Bronze casting
3	Shaft	SUS303 Stainless steel	9	Cap	CAC407 Bronze casting
4	O-ring	FKM Fluoro rubber	10	Insert	CAC407 Bronze casting
5	Valve ball	C3771 Copper alloy *1	11	Hexagon socket head cap screw	SCM435 Alloy steel
6	Valve seat	PTFE Tetrafluoroethylene resin	12	O-ring	FKM Fluoro rubber
			13	Cable	0.3 mm ² , 5-conductor

*1 : Valve ball is hard chrome plated copper alloy.

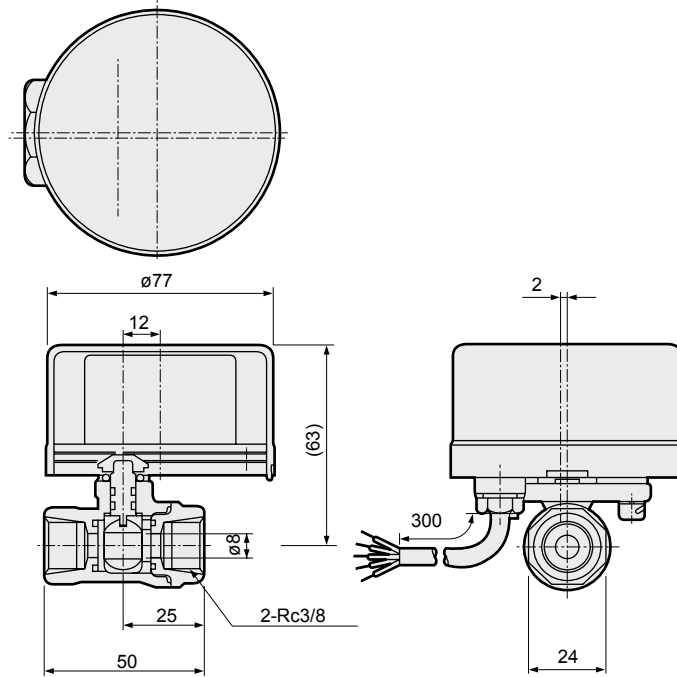
EXA
FWD
HNB/G
USB/G
FAB/G
FGB/G
FVB
FWB/G
FHB
FLB
AB
AG
AP/ AD
APK/ ADK
DryAir
EX- XPLNprf
XPLNprf
HVB/ HVL
S ⌀ B/ NAB
LAD/ NAD
Water- Rela
NP/NAP/ NVP
SNP
CHB/G
MXB/G
Other valves
SWD/ MWD
DustColl
CVE/ CVSE
CCH/ CPE/D
LifeSci
Gas- Combust
Auto- Water
Outdoor
SpecFld
Custom
Ending

MHB4/MHG4 Series



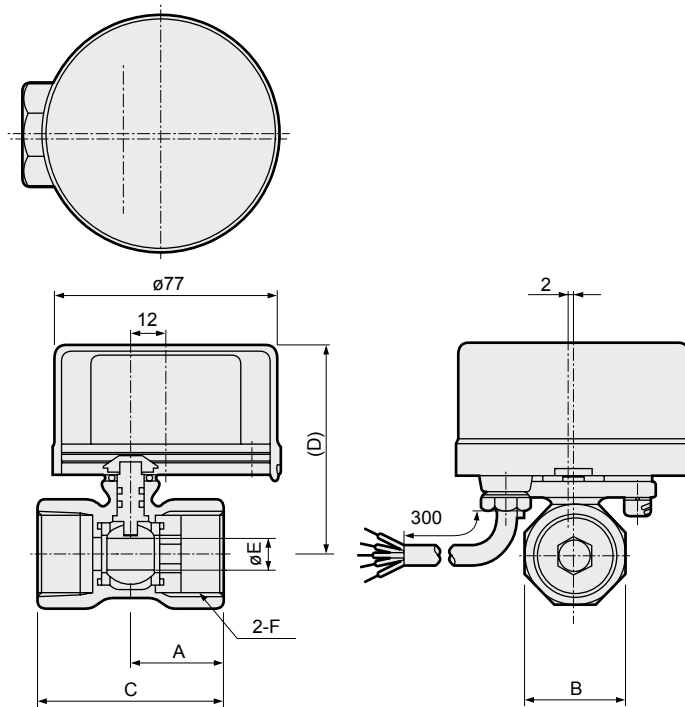
Dimensions: MHB4 Series

● MHB4-10-25



Cabtyre cable length 300 mm

● MHB4-15/20-25



Cabtyre cable length 300 mm

Model No.	A	B	C	D	E	F
MHB4-15-25	27	27	56	63	8	Rc1/2
MHB4-20-25	30	32	63	66	10	Rc3/4

⚠ Safety precautions

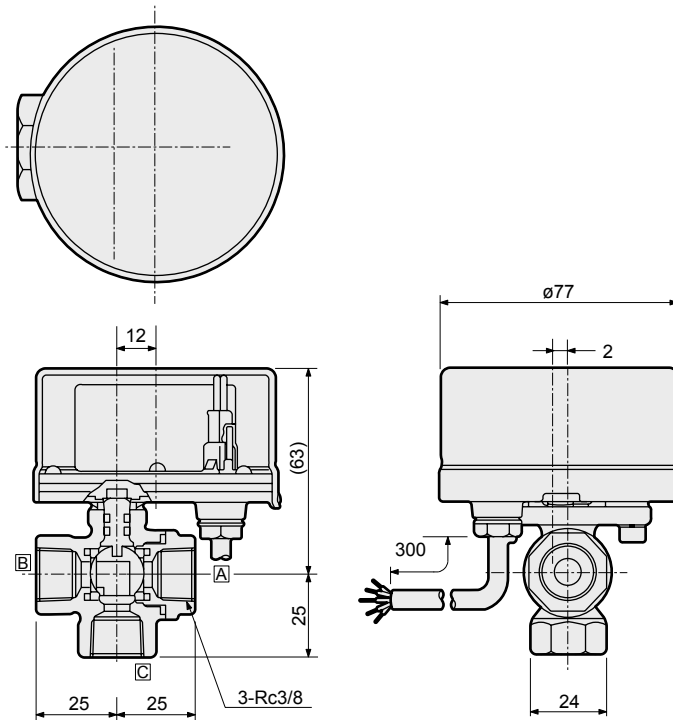
- Since this valve rotates one way only, reversing is impossible during operation. For example, if the operation switch is turned to close while the valve is on the way from closed to open, the valve will fully open once and then close.

- EXA
- FWD
- HNB/G
- USB/G
- FAB/G
- FGB/G
- FVB
- FWB/G
- FHB
- FLB
- AB
- AG
- AP/AD
- APK/ADK
- DryAir
- EX-XPLNprf
- XPLNprf
- HVB/HVL
- S◇B/NAB
- LAD/NAD
- Water-Rela
- NP/NAP/NVP
- SNP
- CHB/G
- MXB/G**
- Other valves
- SWD/MWD
- DustColl
- CVE/CVSE
- CCH/CPE/D
- LifeSci
- Gas-Combus
- Auto-Water
- Outdoor
- SpecFld
- Custom
- Ending

Dimensions: MHG4 Series

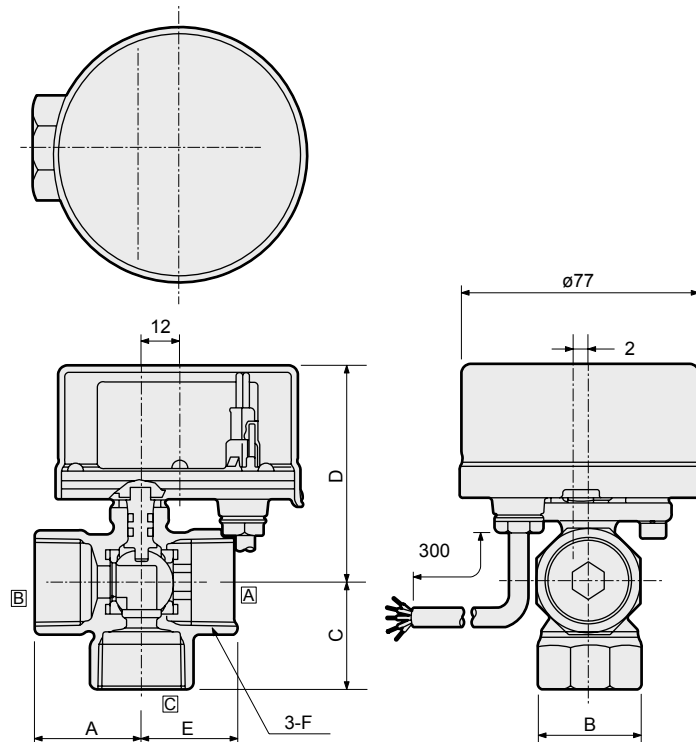


● MHG4-10-25



Cabtyre cable length 300 mm

● MHG4-15/20-25



Cabtyre cable length 300 mm

Model No.	A	B	C	D	E	F
MHG-4-15-25	29	27	29	63	27	Rc1/2
MHG-4-20-25	33	32	33	66	30	Rc3/4

⚠ Safety precautions

- Since this valve rotates one way only, reversing is impossible during operation. For example, part-way in the operation from the B-C path to the A-C path, if the operation switch is returned to the B-C path, the valve will first open to the A-C path before opening the B-C path.

EXA
FWD
HNB/G
USB/G
FAB/G
FGB/G
FVB
FWB/G
FHB
FLB
AB
AG
AP/AD
APK/ADK
DryAir
EX-XPLNprf
XPLNprf
HVB/HVL
S $\hat{=}$ B/NAB
LAD/NAD
Water-Rela
NP/NAP/NVP
SNP
CHB/G
MXB/G
Other valves
SWD/MWD
DustColl
CVE/CVSE
CCH/CPE/D
LifeSci
Gas-Combus
Auto-Water
Outdoor
SpecFld
Custom
Ending