



Pilot operated 2-port solenoid valve

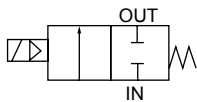
KZV3 Series

● Port size: Rc1/2 to Rc2

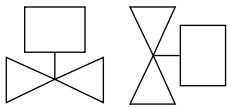


JIS symbol

● NC (open when energized)



Mounting orientation



Specifications

1 MPa ≈ 145.0 psi, 1 MPa = 10 bar

Item	KZV3-15A	KZV3-20A	KZV3-25A	KZV3-32A	KZV3-40A	KZV3-50A
Working fluid	Steam/water/oil (20 mm ² /s or less)			Steam/water/oil (50 mm ² /s or less)		
Port size	Rc1/2	Rc3/4	Rc1	Rc1 1/4	Rc1 1/2	Rc2
Orifice size mm	16	23	28	35	43	53
Cv	4.5	8.6	12	25	34	53
S mm ²	88	162	231	460	625	975
Working pressure differential MPa	0 to 1 (oil only 0 to 0.7) (*1)			0.05 to 1 (oil only 0.05 to 0.6)		
Proof pressure (water pressure) MPa	4 (≈580 psi, 40 bar)			3.2 (≈460 psi, 32 bar)		
Fluid temperature °C	5 (41°F) to 180 (356°F)					
Ambient temperature °C	-10 (14°F) to 60 (140°F)					
Atmosphere	Place free of corrosive gas and explosive gas					
Valve structure	Pilot kick poppet, piston drive			Pilot operated poppet, piston drive		
Mounting orientation	Limited to the range of vertical orientation with the coil on top to horizontal orientation (*2).			Limited to the range of vertical orientation with the coil on top to horizontal orientation		
Weight kg	1.3	1.6	2	4	5	6.5

Electrical specifications

Rated voltage	100/200 VAC connection method selection, 50/60 Hz common	
Apparent power VA	When holding	50 Hz:36, 60 Hz:30
	When starting	50 Hz:180, 60 Hz:150
Power consumption W	50 Hz:20, 60 Hz:18	
Thermal class	Class 180 (H)	
Degree of protection	IP65 equiv. (*3)	

*1 : When used at a pressure less than 0.05 MPa, the sealant may be unstable. Contact CKD in this case.

*2 : Limited to vertical orientation when used at a pressure less than 0.05 MPa.

*3 : IP21 equivalent when using terminal box 4M, 4N.

How to order



Ⓐ Port size

Ⓑ Body material

Ⓒ Option

[Example of model No.]

KZV3-15A-F-4M

Model: KZV3

Ⓐ Port size : Rc1/2

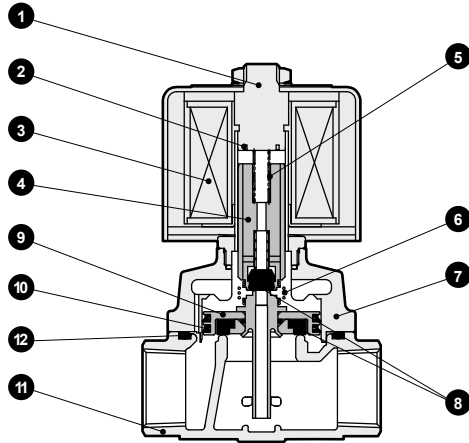
Ⓑ Body material : Stainless steel

Ⓒ Option : Terminal box

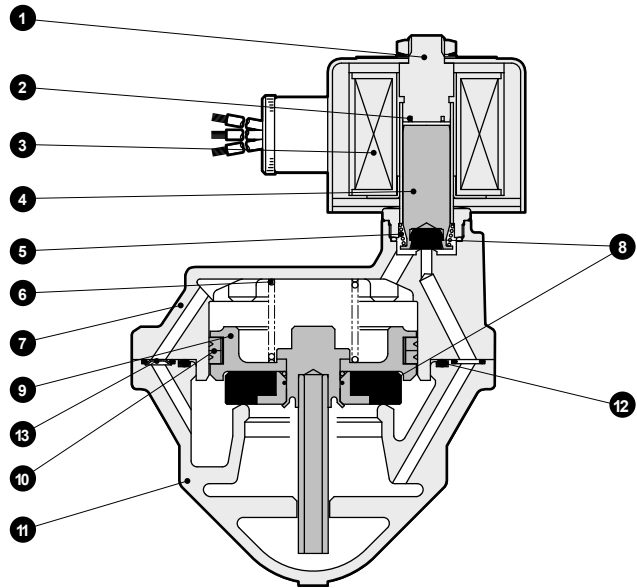
Code	Description
Ⓐ Port size	
15A	Rc1/2
20A	Rc3/4
25A	Rc1
32A	Rc1 1/4
40A	Rc1 1/2
50A	Rc2
Ⓑ Body material	
Blank	Bronze
F	Stainless steel
Ⓒ Option	
Blank	None
4M	Terminal box
4N	Terminal box with lamp

Internal structure and parts list

● KZV3-15A to 25A



● KZV3-32A to 50A



No.	Part name	Material
1	Core assembly	Stainless steel
2	Shading coil	Copper (silver for stainless steel body)
3	Coil	-
4	Plunger assembly	Stainless steel
5	Plunger spring	Stainless steel
6	Spring	Stainless steel
7	Body	Bronze casting (stainless steel casting)
8	Seal	Tetrafluoroethylene resin
9	Main valve assembly	Copper alloy/stainless steel (stainless steel)
10	Seal ring set	Stainless steel/tetrafluoroethylene resin
11	Body	Bronze casting (stainless steel casting)
12	O-ring	Fluoro rubber
13	Orifice plate	Stainless steel

() shows options.

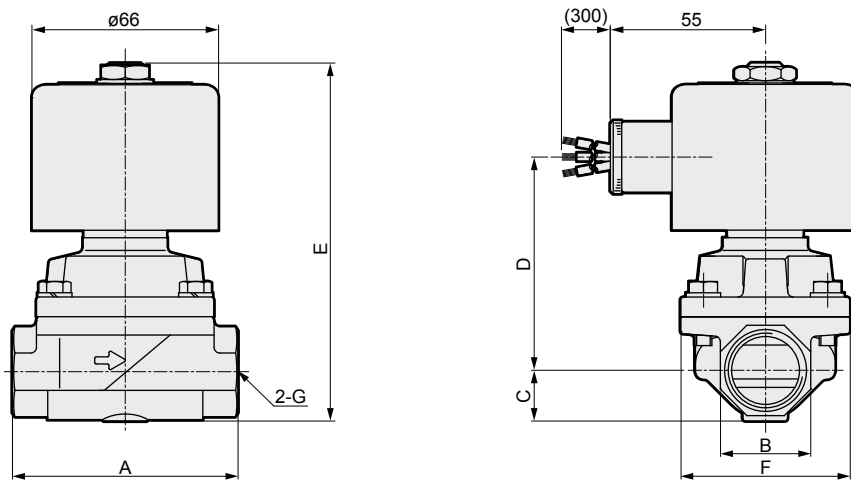
EXA
FWD
HNB/G
USB/G
FAB/G
FGB/G
FVB
FWB/G
FHB
FLB
AB
AG
AP/ AD
APK/ ADK
DryAir
EX- XPLNprf
XPLNprf
HVB/ HVL
S ♂ B/ NAB
LAD/ NAD
Water- Rela
NP/NAP/ NVP
SNP
CHB/G
MXB/G
Other valves
SWD/ MWD
DustColl
CVE/ CVSE
CCH/ CPE/D
LifeSci
Gas- Combus
Auto- Water
Outdoor
SpecFld
Custom
Ending

KZV3 Series

- EXA
- FWD
- HNB/G
- USB/G
- FAB/G
- FGB/G
- FVB
- FWB/G
- FHB
- FLB
- AB
- AG
- AP/AD
- APK/ADK
- DryAir
- EX-XPLNprf
- XPLNprf
- HVB/HVL
- S \diamond B/NAB
- LAD/NAD
- Water-Rela
- NP/NAP/NVP
- SNP
- CHB/G
- MXB/G
- Other valves
- SWD/MWD
- DustColl
- CVE/CVSE
- CCH/CPE/D
- LifeSci
- Gas-Combust
- Auto-Water
- Outdoor
- SpecFld
- Custom
- Ending

Dimensions

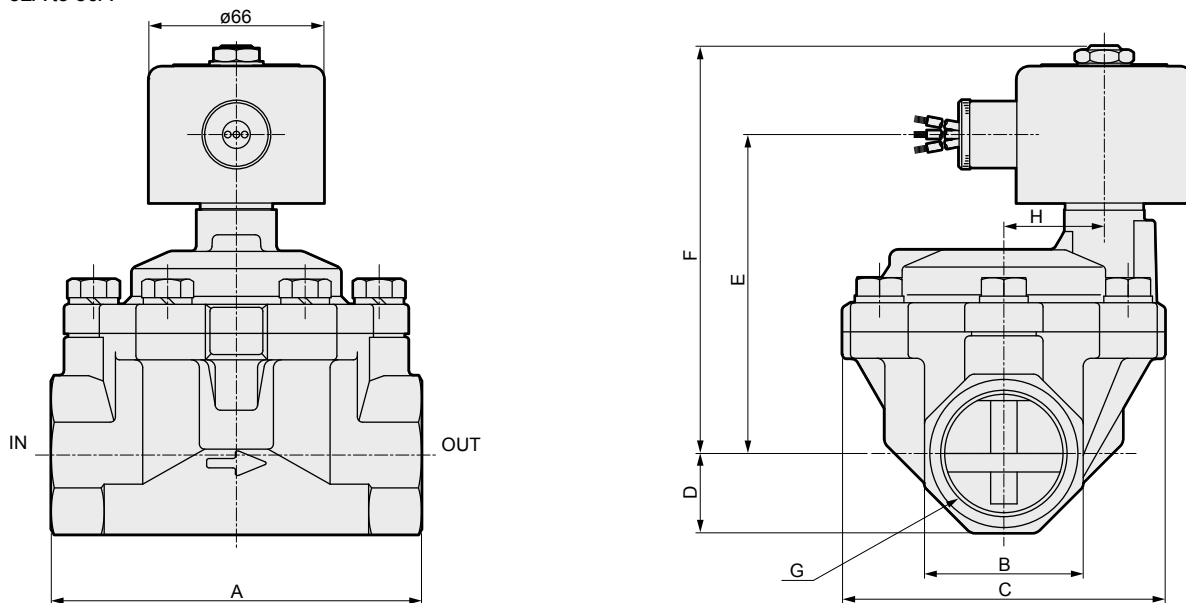
● KZV3-15A to 25A



Model No.	A	B	C	D	E	F	G
KZV3-15A	71	27(29)	14.5	72	119.5	50	Rc1/2
KZV3-20A	80	32(35)	17.5	76	126.5	60	Rc3/4
KZV3-25A	90	41(45)	21.5(22.5)	82	136.5(137.5)	71	Rc1

*1 : Dimensions shown in () are for stainless steel body.

● KZV3-32A to 50A



Model No.	A	B	C	D	E	F	G	H
KZV3-32A	125	54	112	27	115	148	Rc1 1/4	32
KZV3-40A	140	60	122	30	121	154	Rc1 1/2	38
KZV3-50A	160	74	132	37	129	162	Rc2	45

Optional dimensions

● Terminal box

KZV3-15A to 50A-*4M
4N

