



Control box manifold solenoid valve
(2-port solenoid valve for large port size dust collector control)

PJBV Series

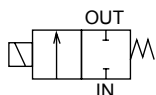
- For air operated PD3 Series
- NC (open when energized)
- Port size: Rc1/8, Rc1/4



- EXA
- FWD
- HNB/G
- USB/G
- FAB/G
- FGB/G
- FVB
- FWB/G
- FHB
- FLB
- AB
- AG
- AP/AD
- APK/ADK
- DryAir
- EX-XPLNprf
- XPLNprf
- HVB/HVL
- S◇B/NAB
- LAD/NAD
- Water-Rela
- NP/NAP/NVP
- SNP
- CHB/G
- MXB/G
- Other valves
- SWD/MWD
- DustColl
- CVE/CVSE
- CCH/CPE/D
- LifeSci
- Gas-Combus
- Auto-Water
- Outdoor
- SpecFld
- Custom
- Ending

JIS symbol

- NC (open when energized)



Specifications

Item	PJBV-6/8-3	PJBV-8-5
Working fluid	Air (no corrosive gas)	
Working pressure MPa	0 (≈0 psi, 0 bar) to 0.7 (≈100 psi, 7 bar)	
Proof pressure (water pressure) MPa	1.1 (≈160 psi, 11 bar)	
Fluid temperature °C	-10 (14°F) to 60 (140°F) (no freezing)	
Ambient temperature °C	-10 (14°F) to 60 (140°F)	
Atmosphere	Place free of corrosive gas and explosive gas	
Valve structure	Direct acting poppet structure (NC)	
Port size	Rc1/8 / Rc1/4	Rc1/4
Orifice size mm	3	5
Rating	Intermittent rating (ON: 1 sec. or less, OFF: 1 sec. or more)	Intermittent rating (ON: 1 sec. or less, OFF: 10 sec. or more)
Box specifications		
Case material	Aluminum	
Hole for conduit	G1	
Mounting orientation	Place sub-plate downward.	
Degree of protection	IP64 or equivalent	
Rough size mm	140 x 510 x 105 (depth x width x height/solenoid valve 2 to 12 stations)	
Electrical specifications		
Rated voltage	100 VAC(50/60 Hz)/110 VAC(60 Hz), 200 VAC(50/60 Hz)/220 VAC(60 Hz)	
Voltage fluctuation range	-10 to +10% of rated voltage	
Apparent power (VA)	Holding	7.5(50 Hz), 5.5(60 Hz)
	Starting	20(50 Hz), 17(60 Hz)
Power consumption W		4.0(50 Hz), 3.4(60 Hz)
		9.8(50 Hz), 6.6(60 Hz)
Thermal class	Class 130 (B)	

How to order

PJBV - 6 - 3 - 10 - AC100V

Model No. *

A Port size

B Orifice size

C Station No.

D Voltage

*2

Code	Description	
A Port size		
6	Rc1/8	
8	Rc1/4	
B Orifice size		
3	ø3	
5	ø5	
C Station No.		
	Weight (kg)	
2	2 stations	4.1
3	3 stations	4.3
4	4 stations	4.5
5	5 stations	4.7
6	6 stations	4.9
7	7 stations	5.1
8	8 stations	5.3
9	9 stations	5.5
10	10 stations	5.7
11	11 stations	5.9
12	12 stations	6.1
D Voltage		
AC100V	100 VAC(50/60 Hz)/110 VAC(60 Hz)	
AC200V	200 VAC(50/60 Hz)/220 VAC(60 Hz)	

[Example of model No.]

PJBV-6-3-10-AC100V

Model: PJBV

A Port size : Rc1/8

B Orifice size : ø3

C Station No. : 10 stations

D Voltage : 100 VAC(50/60 Hz)/110 VAC(60 Hz)

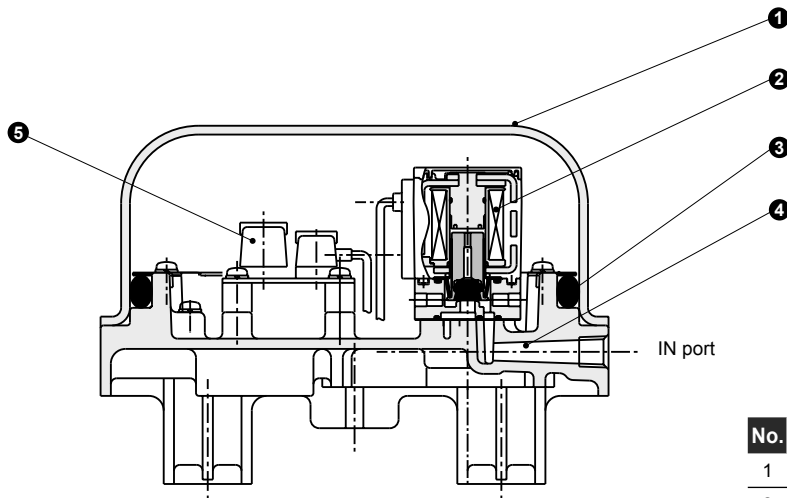
*1 : Port size R 1/8 (**A** 6) is not available for orifice size ø5.

*2 : For voltages other than above, contact CKD. DC voltage can be made to order only for orifice size ø3.

*3 : The type with surge suppressor can be made to order at orifice size ø3 only.

Internal structure and parts list

- PJVB-6/8-3-2 to 12
PJVB-8-5-2 to 12

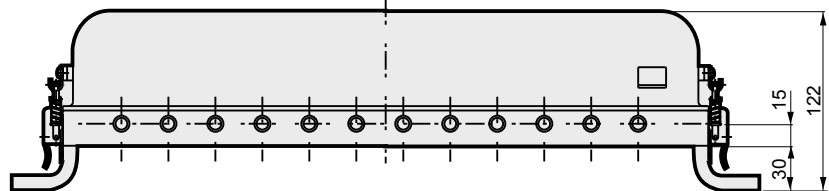
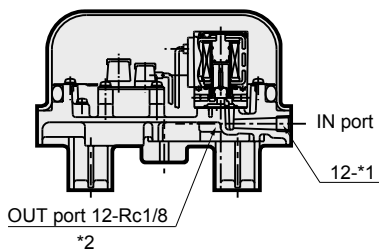
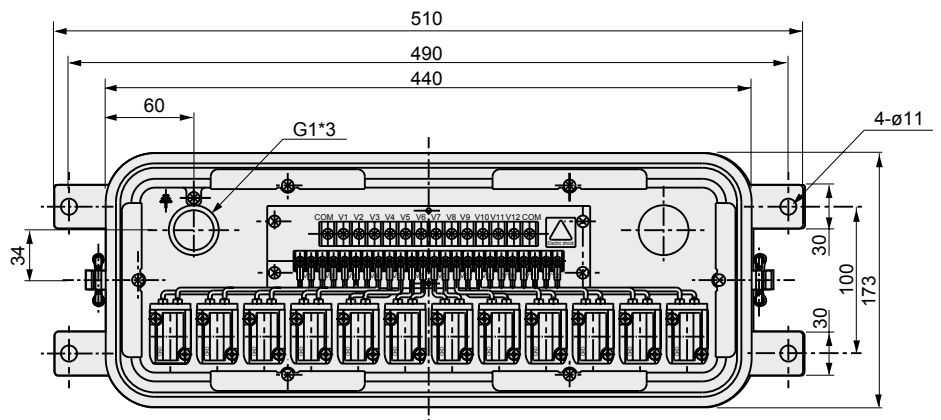


No.	Part name	Material
1	Cover	A1100P Aluminum
2	Solenoid valve	GFAB31-X0930, GFAB31-X0931(*1)
3	O-ring	NBR Nitrile rubber
4	Sub-plate	ADC12 Aluminum die-casting
5	Terminal block set	

*1 : GFAB31-X0930 (order model No.: PJVB-3-ACT) for PJVB-6/8-3, and GFAB31-X0931 (order model No.: PJVB-5-ACT) for PJVB-8-5.

Dimensions

- Box: Solenoid valve 2 to 12 stations
PJVB-6/8-3-2 to 12
PJVB-8-5-2 to 12



*1 : IN port size

Model No.	
PJVB-6-3-station No.-voltage	Rc1/8
PJVB-8-3-station No.-voltage	Rc1/4
PJVB-8-5-station No.-voltage	Rc1/4

*2 : Silencer (SLW-6A) can be attached to OUT port.

*3 : "2-G1" type is also available. (Made-to-order product)

EXA
FWD
HNB/G
USB/G
FAB/G
FGB/G
FVB
FWB/G
FHB
FLB
AB
AG
AP/AD
APK/ADK
DryAir
EX-XPLNprf
XPLNprf
HVB/HVL
SøB/NAB
LAD/NAD
Water-Rela
NP/NAP/NVP
SNP
CHB/G
MXB/G
Other valves
SWD/MWD
DustColl
CVE/CVSE
CCH/CPE/D
LifeSci
Gas-Combus
Auto-Water
Outdoor
SpecFld
Custom
Ending