

Resin solenoid valve for automatic watering

GSV2 Resin solenoid valve



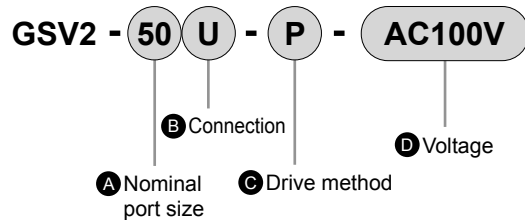
- Union connection
- For watering of greenbelts, protected horticulture, parks, and urban greenery
- Continuously energized, latch ● Pilot operated diaphragm

Specifications

1 MPa ≈ 145.0 psi, 1 MPa = 10 bar

Item	GSV2-20*	GSV2-25*	GSV2-40*	GSV2-50*
Working fluid	Water/agricultural water/diluted agricultural chemicals/liquid fertilizers, etc. * Limited to fluids that will not cause corrosion of the wetted part materials.			
Max. working pressure MPa	0.75(≈108 psi, 7 bar)			
Working pressure differential range MPa	0.03 (≈5 psi, 1 bar) to 0.75 (≈108 psi, 7 bar)			
Proof pressure MPa	1.5 (≈217 psi, 15 bar)			
Fluid temperature °C	4 (39°F) to 40 (104°F)			
Ambient temperature °C	0 (32°F) to 50 (122°F)			
Valve seat leakage cm ³ /min	0.1 or less (water)			
Orifice size mm	25		52	
Cv	11	13	42	45
Mounting orientation	Use in horizontal piping with the coil portion facing upward or in vertical piping with the OUT port facing upward			
Nominal port size	20	25	40	50
Body material	PP			
Weight kg	Connection: U	1	1.8	1.9
	Connection: A	1.5	3.3	2.9
Drive method/voltage	Continuously energized: 24 VDC, 24/100/200 VAC (50/60 Hz), Latch pulse signal: P (voltage selection unnecessary) *1			
Power consumption W	AC/2.5, DC/3			
Thermal class	B (JIS C 4003)			
Leakage current mA	6 or less/24 VAC, 1.9 or less/100 VAC, 0.7 or less/200 VAC, 4 or less/24 VDC			

How to order



- *1 : The P type is dedicated for use with controllers manufactured by CKD.
The voltage of the model No. is not required when placing an order.
Dedicated controller
 · RSC-S5, RSC-G Series
 · RSC-1WP, RSC-2WP
- *2 : If Connection is Blank, prepare a union end and union nut separately.
Note that the O-ring is included.
- *3 : The AC coils are all equipped with rectifying surge suppressors. (Half-wave)
- *4 : The 24 VDC type is equipped with a surge suppressor device.

Code	Description
A Nominal port size	
20	20A
25	25A
40	40A
50	50A
B Connection	
U	Polyvinyl chloride fitting (socket)
Blank	Body only (no union end/union nut) *2
A	Taper pipe thread (Rc) (made-to-order product)
C Drive method	
Blank	Continuously energized
P	Latch pulse signal *1
D Voltage	
AC24V	24 VAC 50/60 Hz *3
AC100V	100 VAC 50/60 Hz *3
AC200V	200 VAC 50/60 Hz *3
DC24V	24 VDC *4

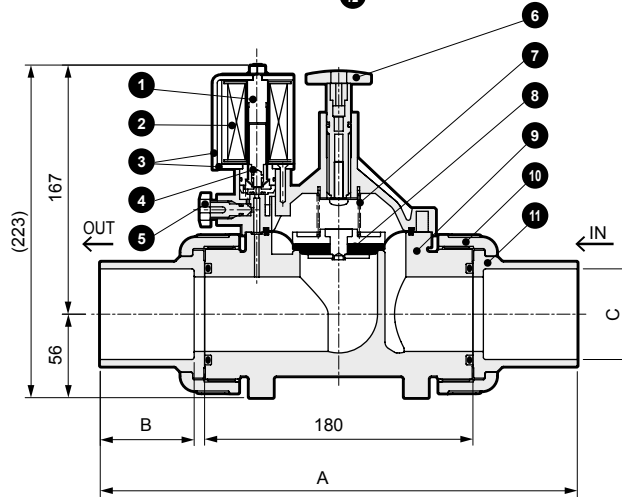
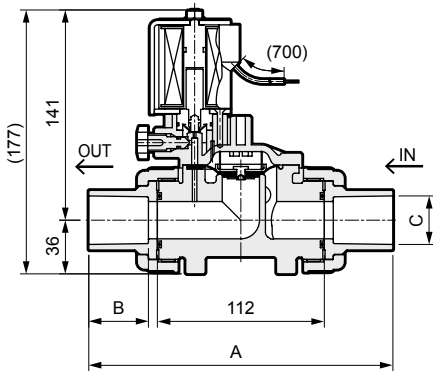
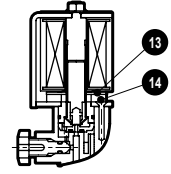
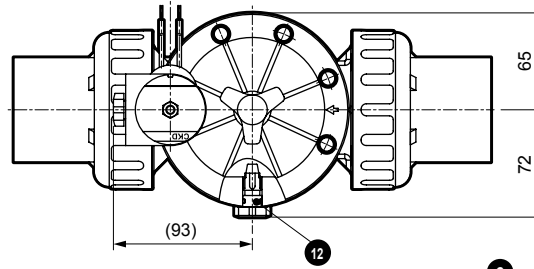
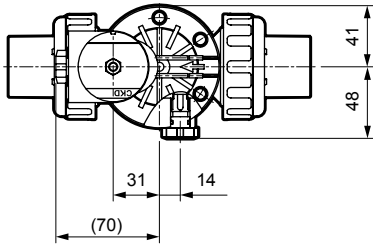
- EXA
- FWD
- HNB/G
- USB/G
- FAB/G
- FGB/G
- FVB
- FWB/G
- FHB
- FLB
- AB
- AG
- AP/AD
- APK/ADK
- DryAir
- EX-XPLNprf
- XPLNprf
- HVB/HVL
- S◇B/NAB
- LAD/NAD
- Water-Rela
- NP/NAP/NVP
- SNP
- CHB/G
- MXB/G
- Other valves
- SWD/MWD
- DustColl
- CVE/CVSE
- CCH/CPE/D
- LifeSci
- Gas-Combus
- Auto-Water
- Outdoor
- SpecFld
- Custom
- Ending

Internal structure and dimensions

● GSV2-25U

● GSV2-50U

● P: Latch



Dimensions	GSV2-20*	GSV2-25*	GSV2-40*	GSV2-50*
Connection: U	A	190	204	304
	B	35	40	55
	C	∅26.5	∅32.6	∅48.7
Connection: A	A	174	174	266
	C	Rc3/4	Rc1	Rc1 1/2

No.	Part name	Material
1	Core assembly	SUS
2	Coil assembly	-
3	Core A/B	SUS
4	Plunger	SUS, NBR
5	Manual operation needle	PP
6	Flow rate adjusting handle	PP
7	Spring	SUS
8	Diaphragm assembly	NBR, PP, SUS
9	Body	PP
10	Union nut	PP
11	Union end	PVC (HITS), SUS
12	Pilot filter	PP, SUS
13	Ring plate	SUS (latch only)
14	Magnet	DPM-2 (latch only)

EXA
FWD
HNB/G
USB/G
FAB/G
FGB/G
FVB
FWB/G
FHB
FLB
AB
AG
AP/
AD
APK/
ADK
DryAir
EX-
XPLNprf
XPLNprf
HVB/
HVL
S ∅ B/
NAB
LAD/
NAD
Water-
Rela
NP/NAP/
NVP
SNP
CHB/G
MXB/G
Other
valves
SWD/
MWD
DustColl
CVE/
CVSE
CCH/
CPE/D
LifeSci
Gas-
Combus
**Auto-
Water**
Outdoor
SpecFld
Custom
Ending